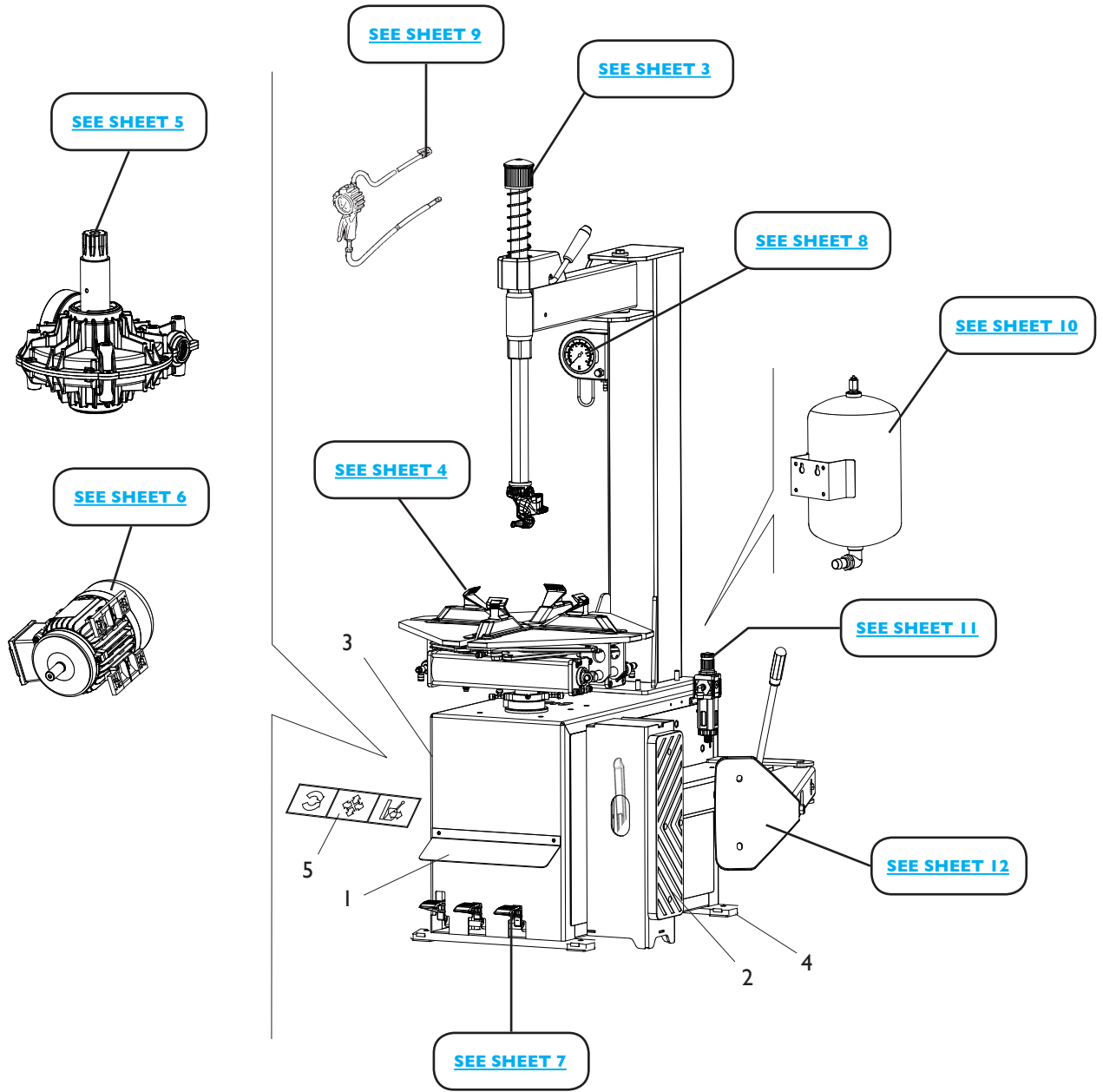


TCX 45 Tire Changer

©2016 Hunter Engineering Company

OVERALL



PARTS DESCRIPTION LISTING

Form 11-4-134125, 02-16

Sheet 2 of 12

| Index No. | Part Number | Description |
|-----------|---------------|-----------------------|
| 1 | RP11-5-121491 | PEDAL COVER |
| 2 | RP11-35016141 | RIM SUPPORT |
| 3 | RP11-5-121494 | SIDE PANEL WITH LABEL |

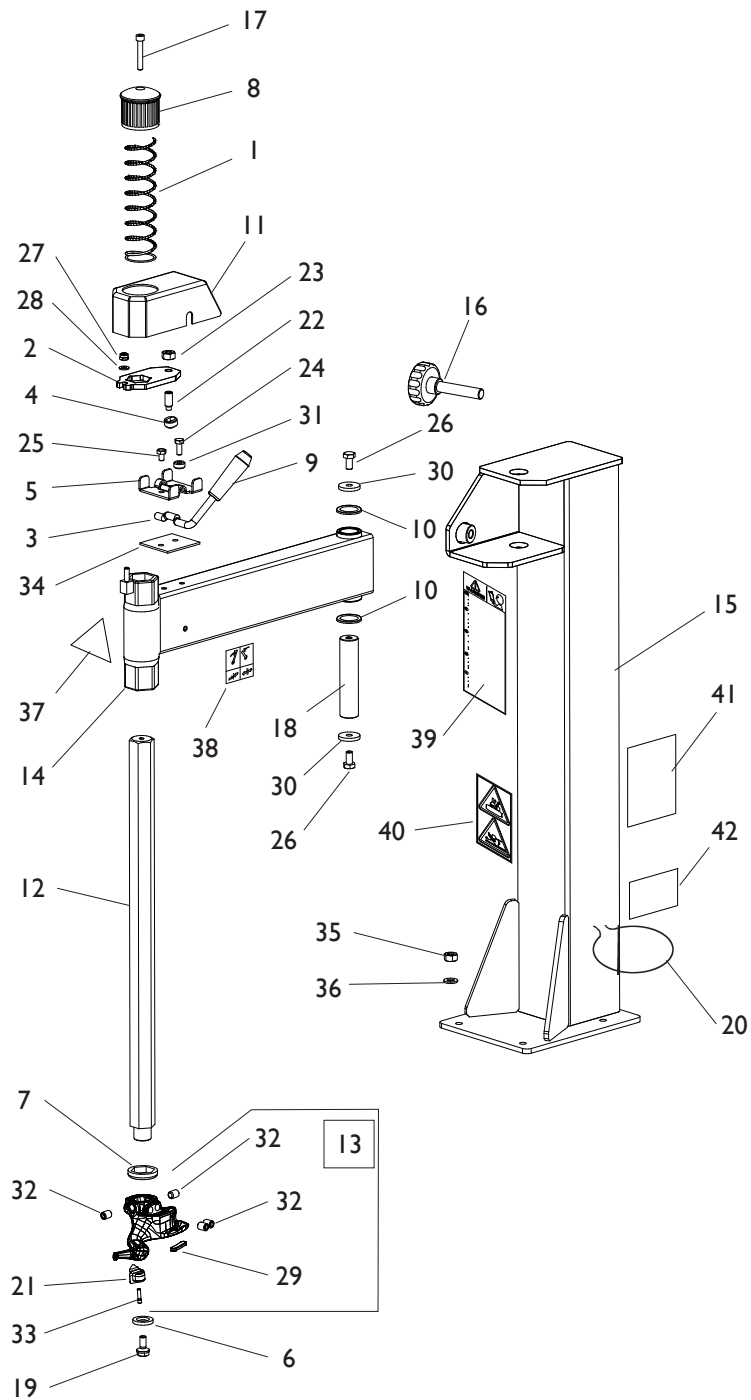
| Index No. | Part Number | Description |
|-----------|---------------|--------------|
| 4 | RP11-422019 | FOOT |
| 5 | RP11-4-402025 | DECAL PEDALS |
| | | |

TCX45 ACCESSORIES (NOT SHOWN)

| Part Number | Description |
|---------------|------------------|
| RP6-3784 | Mounting Paste |
| 148-133-2 | Lubrication Oil |
| RP11-4-105142 | Short Bead Lever |
| | |

| Part Number | Description |
|--------------|------------------|
| RP11-3009516 | Bead Lever |
| 179-15-2 | Safety Goggles |
| RP6-1506 | Applicator Brush |
| | |

OPERATING ARM GROUP



[RETURNS TO OVERALL](#)

PARTS DESCRIPTION LISTING

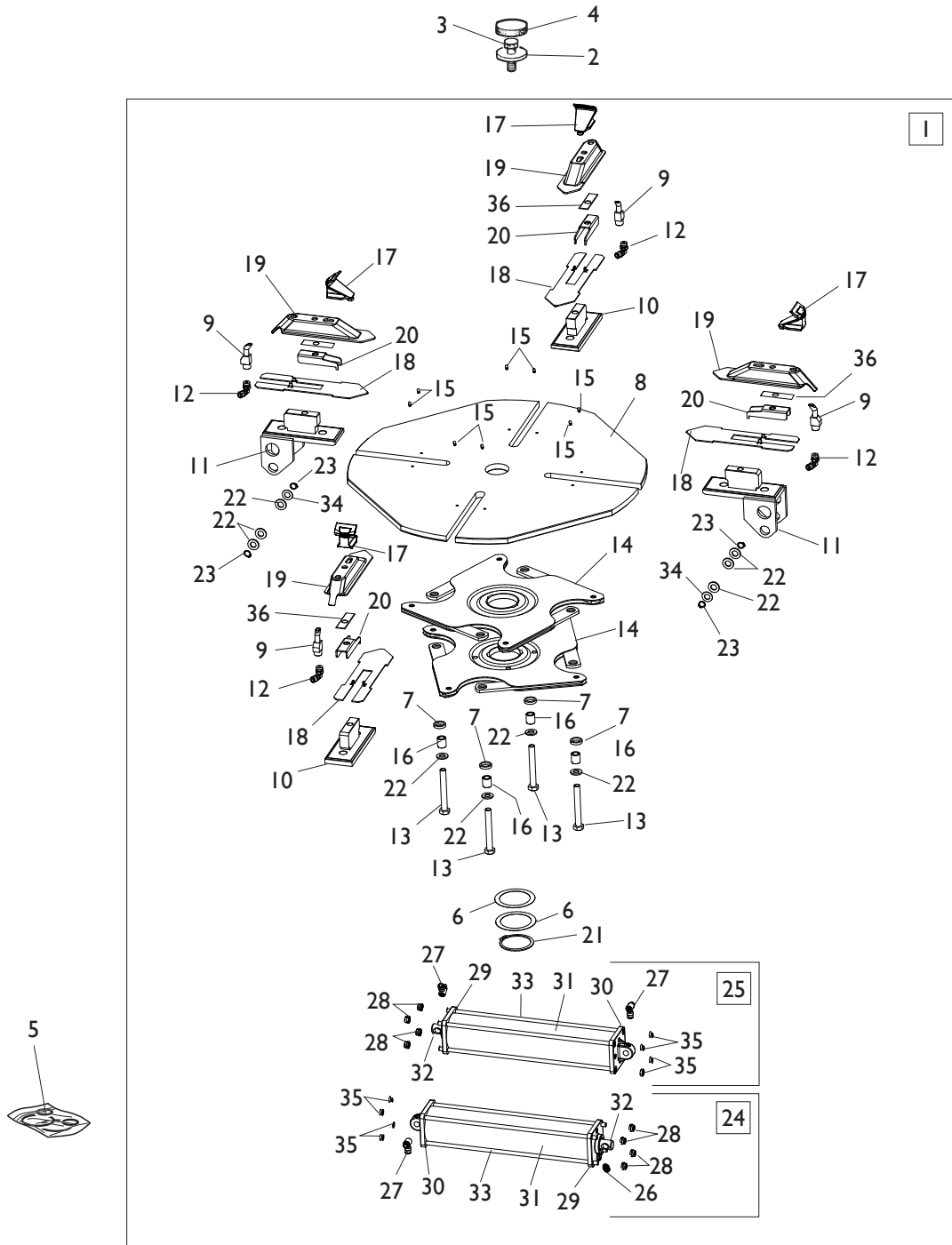
Form 11-4-134125, 02-16

Sheet 3 of 12

| Index No. | Part Number | Description |
|-----------|---------------|---------------------------------|
| 1 | RP11-423765 | SPRING D.48,4X3,2X410 |
| 2 | RP11-4-117906 | VERTICAL LOCKING PLATE |
| 3 | RP11-2310947 | LEVER WITH HANDLE |
| 4 | RP11-2201117 | PAWL WITH INSERT |
| 5 | RP11-440281 | PLATE FOR CAM LEVER |
| 6 | RP11-9350194 | MOUNTING HEAD FIXING WASHER |
| 7 | RP11-428681 | DAMPING RING |
| 8 | RP11-423907 | KNOB |
| 9 | RP11-3306018 | HANDLE |
| 10 | RP11-478229 | WASHER 30X42X0.5 |
| 11 | RP11-440285 | VERTICAL LOCKING COVER |
| 12 | RP11-343105 | VERTICAL ARM |
| 13 | RP11-257175 | HEAD ASSEMBLY |
| 14 | RP11-4-133079 | ORIZANTAL ARM |
| 15 | RP11-5-121492 | VERTICAL ARM |
| 16 | RP11-440276 | HANDLE |
| 17 | RP11-2-00901 | SOCKET HEAD CAP SCREW M8X50 |
| 18 | RP11-33017889 | ARM PIN |
| 19 | RP11-9350197 | MOUNTING HEAD FIXING SCREW |
| 20 | RP11-3094868 | HOLDER FOR TYRE PASTE CONTAINER |
| 21 | RP11-4-104729 | YELLOW INSERT |
| | | |

| Index No. | Part Number | Description |
|-----------|---------------|--------------------------------|
| 22 | RP11-2-71370 | SOCKET SET SCREW M12X30 |
| 23 | RP11-2-00158 | NUT M12 |
| 24 | RP11-2-00373 | HEXAGON HEAD CAP SCREW M8X20 |
| 25 | RP11-2-00372 | HEXAGON HEAD CAP SCREW M8X16 |
| 26 | RP11-2-00379 | HEXAGON HEAD CAP SCREW M10X20 |
| 27 | RP11-2-01137 | NUT WITH POLYAMIDE RING M8 |
| 28 | RP11-2-00212 | WASHER FOR HEX CAP SCREW M8 |
| 29 | RP11-4-104730 | YELLOW INSERT |
| 30 | RP11-34010560 | WASHER |
| 31 | RP11-3010908 | SPACER |
| 32 | RP11-2-71357 | SOCKET SET SCREW M12X16 |
| 33 | RP11-342051 | PERNO TORRETTA |
| 34 | RP11-4-119820 | PLATE |
| 35 | RP11-2-01019 | NUT WITH POLYAMIDE RING M10 |
| 36 | RP11-2-00213 | WASHER FOR HEX CAP SCREW M10 |
| 37 | RP11-462081 | DANGER LABEL |
| 38 | RP11-4-402365 | DECAL-INSTRUCTION BAR LEVER |
| 39 | RP11-4-402354 | DECAL, WARNING READ MANUAL |
| 40 | RP11-4-402352 | DECAL, WARNING HANDS |
| 41 | RP11-4-402358 | DECAL, WARNING DISCONNECT HOSE |
| 42 | RP11-4-402825 | DECAL, WARNING |
| | | |

TURNTABLE GROUP 10-22"



[RETURNS TO OVERALL](#)

PARTS DESCRIPTION LISTING

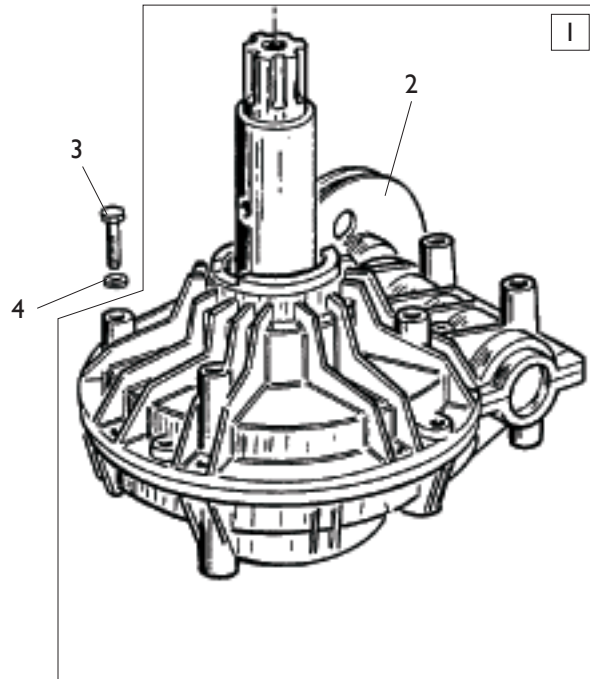
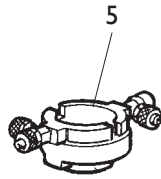
Form 11-4-134125, 02-16

Sheet 4 of 12

| Index No. | Part Number | Description |
|-----------|---------------|-----------------------------------|
| 1A | RP11-5-102907 | TURNTABLE ASSEMBLY 10-22" |
| 1B | RP11-5-100581 | TURNTABLE ASSEMBLY 10-22" G.P. |
| 2 | RP11-323363 | WASHER D.16,5X48X10 |
| 3 | RP11-2-01216 | HEXAGON HEAD CAP SCREW M16X1.5X35 |
| 4 | RP11-426514 | ROUND CAP |
| 5 | RP11-238548 | CYLINDERS SEAL KIT |
| 6 | RP11-455082 | WASHER D.65X85X0.4 |
| 7 | RP11-437964 | PLASTIC WASHER D.18X25X5 |
| 8 | RP11-4-102152 | TURNTABLE PLATE |
| 9 | RP11-4-101918 | G.P. FITTING |
| 10 | RP11-4-101122 | SLIDING GUIDE |
| 11 | RP11-4-101130 | SLIDING GUIDE |
| 12 | RP11-3-00517 | ORIENTING ELBOW FITTING 1/4 10 |
| 13 | RP11-2-03295 | HEXAGON HEAD CAP SCREW M12X95 |
| 14 | RP11-4-101651 | CONTROL PLATE |
| 15 | RP11-2-01059 | SPRING PIN D.5X12 |
| 16 | RP11-337965 | BUSH d.12 x D.18x20 |
| 17 | RP11-3008225 | CLAMPING JAW |
| 18 | RP11-4-115186 | COVER PLATE |
| | | |

| Index No. | Part Number | Description |
|-----------|---------------|---|
| 19A | RP11-4-101872 | SLIDE |
| 19B | RP11-4-101871 | G.P. SLIDE |
| 20 | RP11-4-106243 | PLATE |
| 21 | RP11-2-01283 | RETAINING RING FOR SHAFT D.65 |
| 22 | RP11-2-00214 | WASHER FOR HEX CAP SCREW M12 |
| 23 | RP11-2-00025 | RETAINING RING FOR SHAFT D.12 |
| 24 | RP11-5-100582 | RIGHT CYLINDER D.70X326.5 |
| 25 | RP11-5-100583 | LEFT CYLINDER D.70X326.5 |
| 26 | RP11-3-02045 | STRAIGHT MALE ADAPTOR G1/8 T.6 + O-RING |
| 27 | RP11-3-02044 | ORIENTING ELBOW FITTING 1/8 T6 + O-RING |
| 28 | RP11-2-01137 | NUT WITH POLYAMIDE RING M8 |
| 29 | RP11-5-105111 | CYLINDER FRONT FLANGE D.70 |
| 30 | RP11-4-115948 | CYLINDER REAR FLANGE D.70 |
| 31 | RP11-4-116001 | CASING CYLINDER D. 70 |
| 32 | RP11-4-115999 | SHAFT FOR CYLINDER D.70 |
| 33 | RP11-4-116002 | TIE ROD M8X390 |
| 34 | RP11-428636 | WASHER D.22,8X12,3X1 |
| 35 | RP11-2-00156 | LOW NUT M8 |
| 36 | RP11-4-104399 | SPACER FOR SLIDING GUIDE |
| | | |

GEARBOX GROUP



[RETURNS TO OVERALL](#)

PARTS DESCRIPTION LISTING

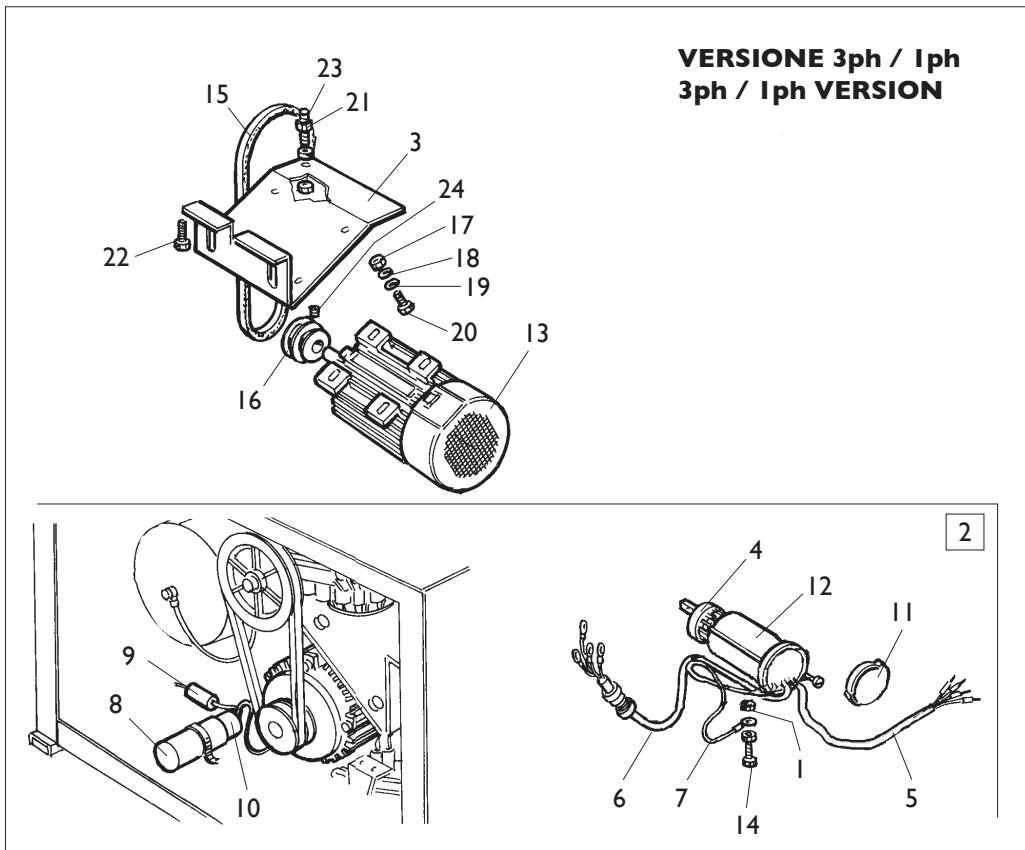
Form 11-4-134125, 02-16

Sheet 5 of 12

| Index No. | Part Number | Description |
|-----------|---------------|---------------------------|
| 1 | RP11-5-102650 | 1 SPEED GEARBOX |
| 2 | RP11-314344 | 1 SPEED PULLEY |
| 3 | RP11-2-01046 | HEXAGON HEAD SCREW M10X55 |
| | | |

| Index No. | Part Number | Description |
|-----------|--------------|--------------------------|
| 4 | RP11-2-00213 | WASHER D.10 |
| 5 | RP11-228389 | ROTATING JOINT (NO G.P.) |
| | | |

ELECTRICAL SYSTEM



[RETURNS TO OVERALL](#)

PARTS DESCRIPTION LISTING

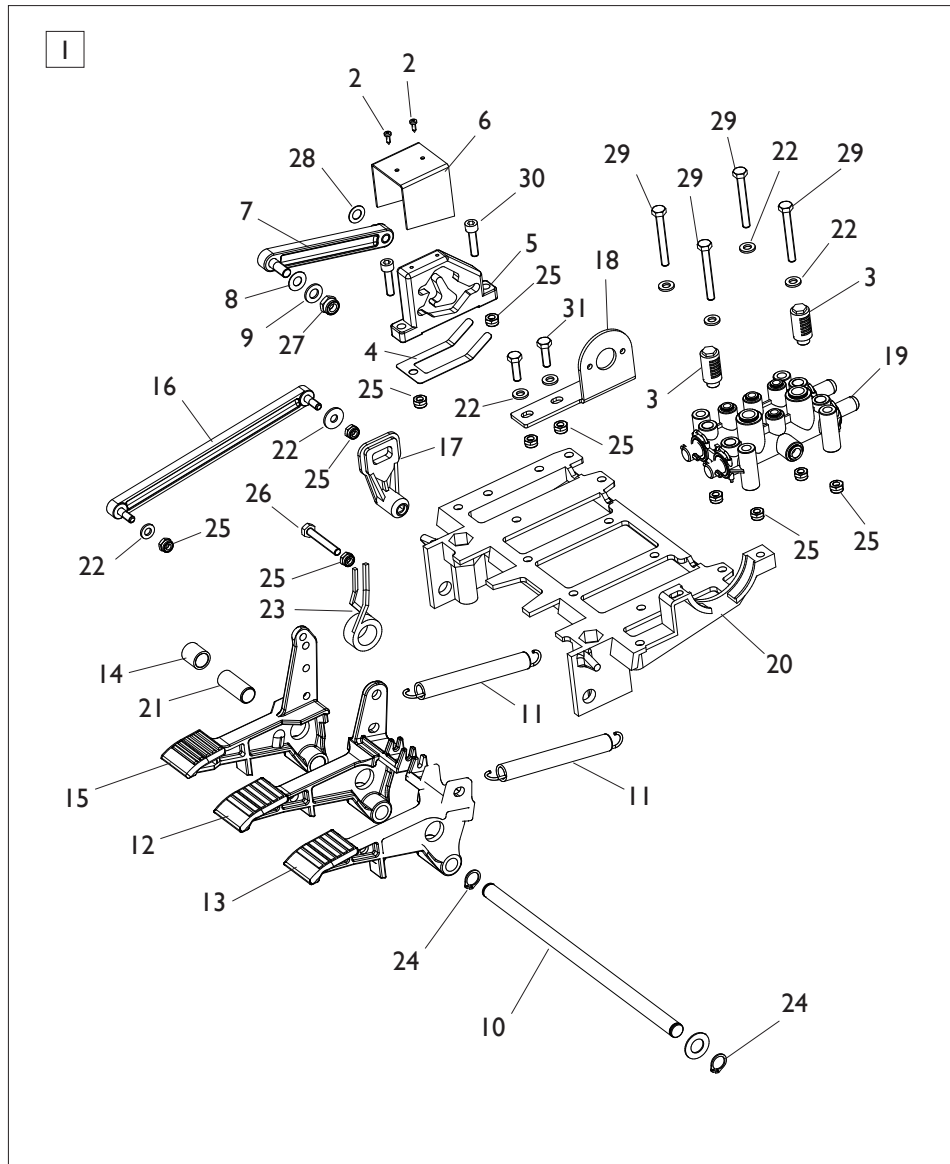
Form 11-4-134125, 02-16

Sheet 6 of 12

| Index No. | Part Number | Description |
|-----------|---------------|----------------------------------|
| 1 | RP11-2-00149 | NUT M 4 |
| 2A | RP11-5-103989 | ELECTRICAL SYSTEM (115V 1PH) |
| 2B | RP11-249881 | ELECTRICAL SYSTEM (230V 1PH) |
| 2C | RP11-235574 | ELECTRICAL SYSTEM (400/230V 3PH) |
| 3 | RP11-334768 | MOTOR SUPPORT |
| 4 | RP11-5-102742 | INVERTER |
| 5A | RP11-447801 | SUPPLY CABLE (115V 1PH) |
| 5B | RP11-235520 | SUPPLY CABLE (230V 1PH) |
| 5C | RP11-235518 | SUPPLY CABLE (400/230V 3PH) |
| 6A | RP11-249590 | MOTOR CABLE (115V 1PH) |
| 6B | RP11-225419 | MOTOR CABLE (230V 1PH) |
| 6C | RP11-225390 | MOTOR CABLE (400/230V 3PH) |
| 7A | RP11-249601 | U-BOLT (115V 1PH) |
| 7B | RP11-225438 | U-BOLT (230V 1PH) |
| 7C | RP11-225051 | U-BOLT (400/230V 3PH) |
| 8A | RP11-430750 | CAP NUT (115V 1PH) |
| 8B | RP11-414850 | CAP NUT (230V 1PH) |
| 9 | RP11-430770 | RESISTANCE 330K OHM |
| 10A | RP11-4-112706 | CAPACITOR 50 mF (115v 1ph) |
| | | |

| Index No. | Part Number | Description |
|-----------|---------------|--------------------------------|
| 10B | RP11-449750 | CAPACITOR 35 mF (230v 1ph) |
| 11 | RP11-430991 | LID |
| 12 | RP11-432065 | INVERTER COVER |
| 13A | RP11-422013 | ELECTRIC MOTOR (400/230V 3PH) |
| 13B | RP11-425397 | ELECTRIC MOTOR (440/240V 3PH) |
| 13C | RP11-4-115122 | ELECTRIC MOTOR (230V 1PH 50HZ) |
| 13D | RP11-4-114875 | ELECTRIC MOTOR (230V 1PH 60HZ) |
| 13E | RP11-4-112454 | ELECTRIC MOTOR (115V 1PH) |
| 14 | RP11-2-00790 | CROSS PAN HEAD SCREW M4X10 |
| 15 | RP11-3-10068 | BELT |
| 16 | RP11-331067 | MOTOR PULLEY |
| 17 | RP11-421349 | TRISTOP M 8 SELF-LOCKING NUT |
| 18 | RP11-339208 | WASHER D.8,5X22X4 |
| 19 | RP11-2-00212 | WASHER FOR HEX CAP SCREW M8 |
| 20 | RP11-2-00374 | HEXAGON HEAD CAP SCREW M8X25 |
| 21 | RP11-2-00152 | NUT M10 |
| 22 | RP11-2-00328 | SOCKET HEAD CAP SCREW M10X20 |
| 23 | RP11-455920 | SPECIAL SCREW M10X60 |
| 24 | RP11-2-01091 | SOCKET SET SCREW M6X5 |
| | | |

PEDAL GROUP



[RETURNS TO OVERALL](#)

PARTS DESCRIPTION LISTING

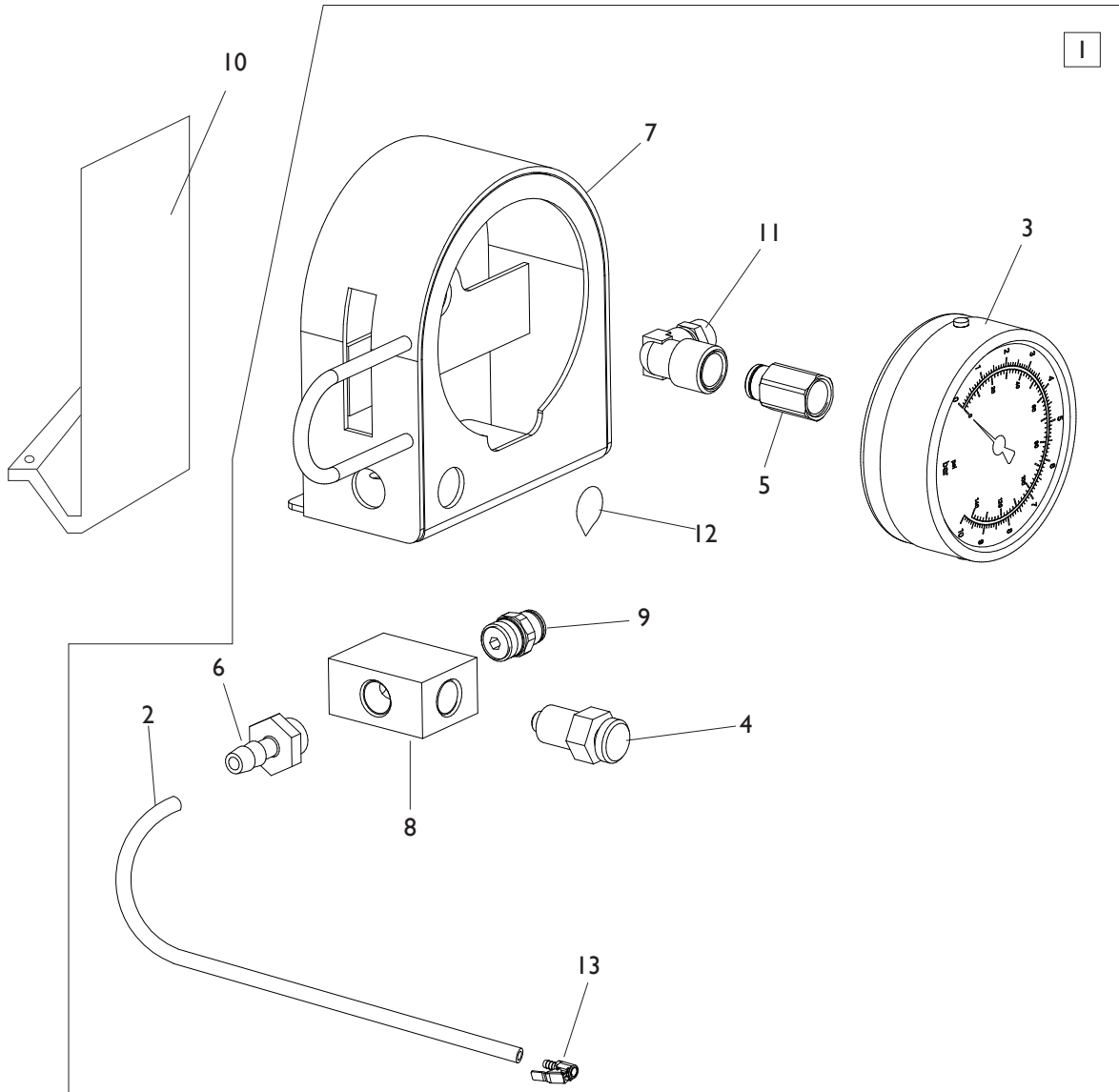
Form 11-4-134125, 02-16

Sheet 7 of 12

| Index No. | Part Number | Description |
|-----------|---------------|------------------------------|
| 1 | RP11-5-106269 | PEDAL ASSEMBLY 1 SPEED |
| 2 | RP11-2-01272 | SELF-TAPPING SCREW D.2,9X9,5 |
| 3 | RP11-3-00183 | SILENCER 1/8" |
| 4 | RP11-3006149 | FORK LEAF SPRING |
| 5 | RP11-3306148 | TRIP CAM |
| 6 | RP11-325018 | U-BOLT |
| 7 | RP11-425014 | CAM ROD |
| 8 | RP11-2-02247 | WASHER D.8,4X15 |
| 9 | RP11-309358 | WASHER D.8X16,5X0,5 |
| 10 | RP11-325583 | PEDAL PIN |
| 11 | RP11-410628 | SPRING D.14X2X105 |
| 12 | RP11-325031 | TURNTABLE PEDAL |
| 13 | RP11-325032 | BEAD BRAKE PEDAL |
| 14 | RP11-325050 | SPACER |
| 15 | RP11-5-102714 | INVERTER PEDAL |
| 16 | RP11-429009 | ROD |
| | | |

| Index No. | Part Number | Description |
|-----------|---------------|-------------------------------|
| 17 | RP11-404283 | INVERTER LEVER |
| 18 | RP11-334758 | INVERTER SUPPORT |
| 19 | RP11-5-102739 | DOUBLE VALVE |
| 20 | RP11-524273 | COMMAND SUPPORT |
| 21 | RP11-425011 | BUSH D.12X14X33,5 |
| 22 | RP11-2-00211 | WASHER FOR HEX CAP SCREW M6 |
| 23 | RP11-4-109664 | INVERTER SPRING |
| 24 | RP11-2-00025 | RETAINING RING FOR SHAFT D.12 |
| 25 | RP11-2-01979 | NUT WITH POLYAMIDE RING M6 |
| 26 | RP11-2-00366 | HEXAGON HEAD SCREW M6X40 |
| 27 | RP11-2-01137 | NUT WITH POLYAMIDE RING M8 |
| 28 | RP11-2-00212 | WASHER FOR HEX CAP SCREW M8 |
| 29 | RP11-2-00411 | HEXAGON HEAD SCREW M6X50 |
| 30 | RP11-2-00312 | SOCKET HEAD CAP SCREW M6X25 |
| 31 | RP11-2-00362 | HEXAGON HEAD CAP SCREW M6X20 |
| | | |
| | | |

INFLATION GROUP



[RETURNS TO OVERALL](#)

PARTS DESCRIPTION LISTING

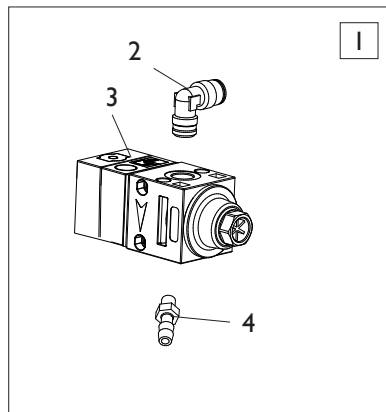
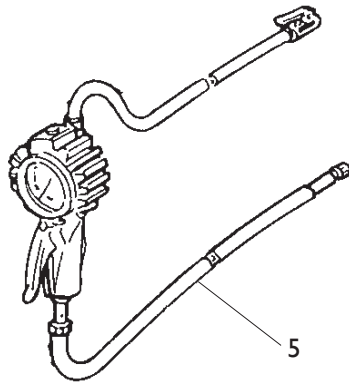
Form 11-4-134125, 02-16

Sheet 8 of 12

| Index No. | Part Number | Description |
|-----------|---------------|--------------------------------|
| 1 | RP11-5-121273 | BAR/PSI INFLATION BOX ASSEMBLY |
| 2 | RP11-262971 | INFLATION HOSE WITH VALVE |
| 3 | RP11-3-00490 | PRESSURE GAUGE G1/4 0-10BAR |
| 4 | RP11-235463 | PUSH-BUTTON |
| 5 | RP11-3-00261 | D-FITTING G1/4F T6 |
| 6 | RP11-3-00007 | FITTING G1/4 |
| 7 | RP11-4-133580 | GAUGE BOX |
| | | |

| Index No. | Part Number | Description |
|-----------|---------------|--------------------------------|
| 8 | RP11-352586 | BLOCK |
| 9 | RP11-3-00460 | STRAIGHT MALE ADAPTOR G1/4 T.6 |
| 10 | RP11-342155 | INFLATION BOX SUPPORT |
| 11 | RP11-3-00103 | L-FITTING-G1/4 T6 |
| 12 | RP11-4-402021 | DECAL MANUAL BLEED VALVE |
| 13 | RP11-3-00425 | INFLATING VALVE |
| | | |
| | | |

INFLATING GUN



[RETURNS TO OVERALL](#)

PARTS DESCRIPTION LISTING

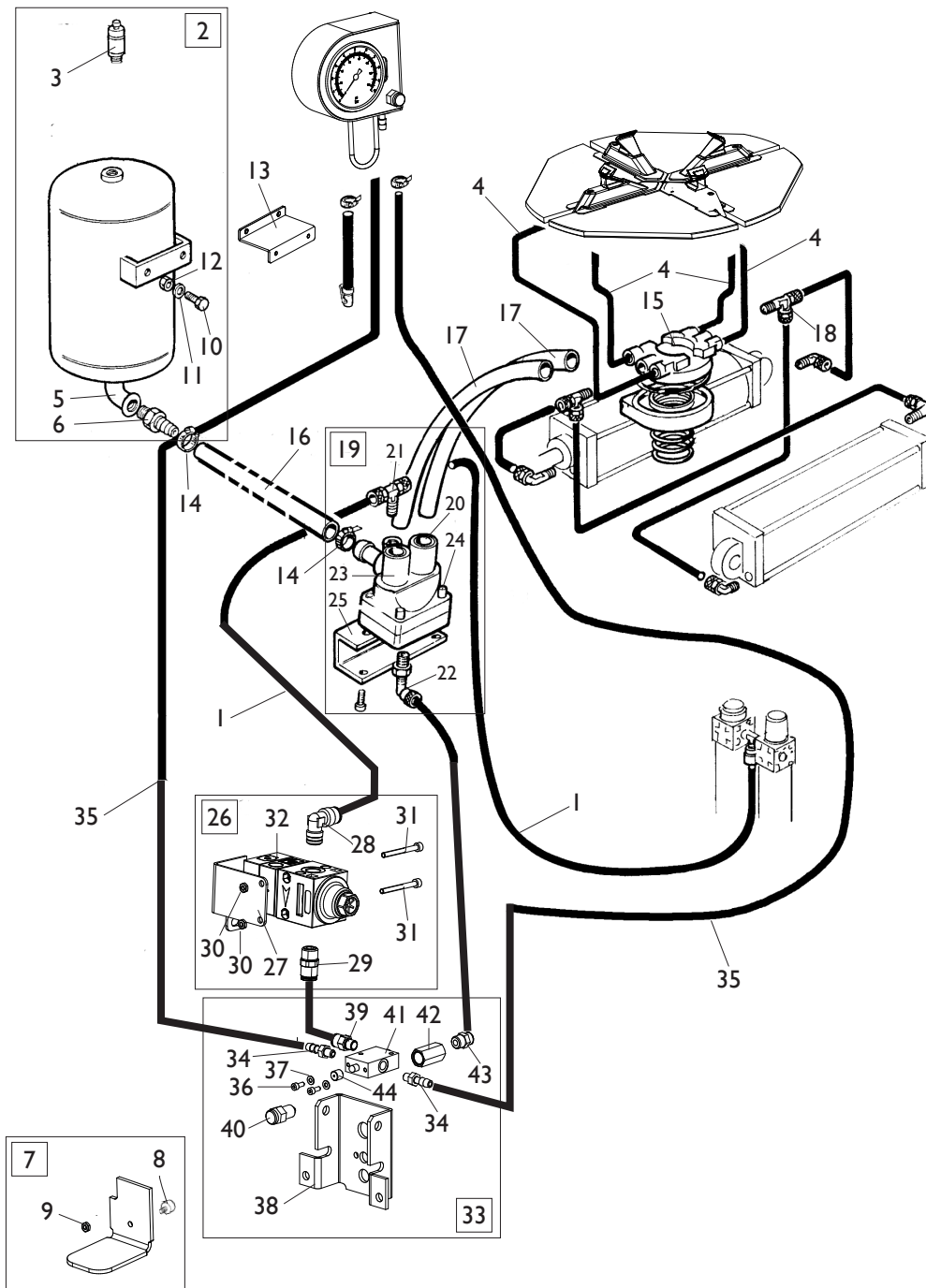
Form 11-4-134125, 02-16

Sheet 9 of 12

| Index No. | Part Number | Description |
|-----------|--------------|-------------------|
| 1 | RP11-252558 | VALVE ASSEMBLY |
| 2 | RP11-3-00055 | L-FITTING G1/4 T8 |
| 3 | RP11-3-00389 | VALVE |
| | | |

| Index No. | Part Number | Description |
|-----------|--------------|-----------------------|
| 4 | RP11-352557 | NIPPLO-FITTING G1/4 |
| 5 | RP11-3-10219 | INFLATING GUN BAR/PSI |
| | | |
| | | |

G.P. INFLATION GROUP



[RETURNS TO OVERALL](#)

PARTS DESCRIPTION LISTING

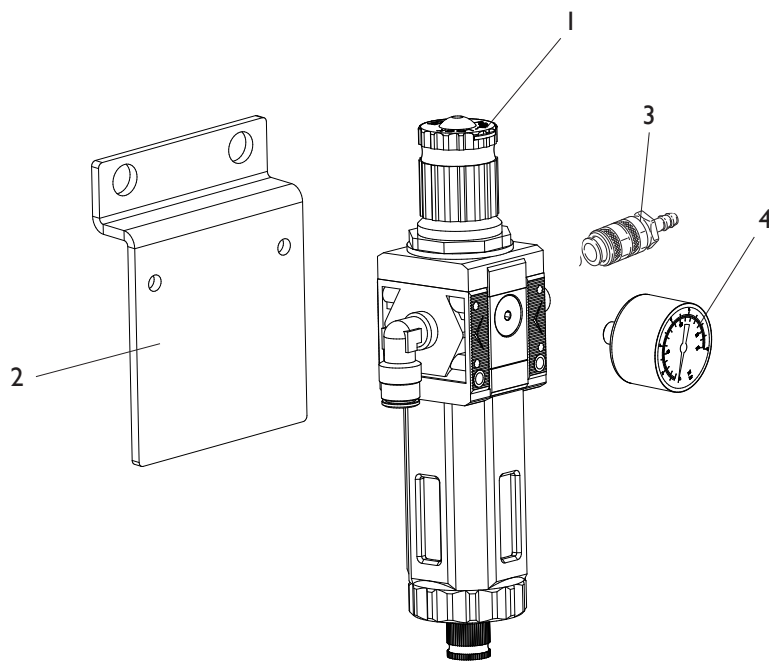
Form 11-4-134125, 02-16

Sheet 10 of 12

| Index No. | Part Number | Description |
|-----------|---------------|------------------------------|
| 1 | RP11-1-01683 | RILSAN HOSE D.8-6 |
| 2 | RP11-240968 | TANK ASSEMBLY |
| 3 | RP11-3-00356 | SAFETY VALVE G1/4" |
| 4 | RP11-1-04223 | POLYURETHAN HOSE T10-7.5 |
| 5 | RP11-438995 | L-FITTING |
| 6 | RP11-337704 | RESCA FITTING G1-TG26 L67 |
| 7 | RP11-252625 | INFLATION PEDAL |
| 8 | RP11-452624 | VIBRATION DAMPING 20X11 M6X9 |
| 9 | RP11-2-00150 | NUT M6 |
| 10 | RP11-2-00373 | HEXAGON HEAD CAP SCREW M8X20 |
| 11 | RP11-2-00212 | WASHER FOR HEX CAP SCREW M8 |
| 12 | RP11-2-00112 | NUT M8 |
| 13 | RP11-342287 | TANK BRACKET |
| 14 | RP11-403751 | HOSE CLAMP |
| 15 | RP11-241841 | G.P. ROTATING JOINT |
| 16 | RP11-342288 | RUBBER HOSE 25X37 L.280mm |
| 17 | RP11-342289 | RYLSAN HOSE 14X1 L.650mm |
| 18 | RP11-3-00117 | TL-FITTING G1/8C T6/4 |
| 19 | RP11-242290 | G.P. INFLATION VALVE |
| 20 | RP11-3-02945 | CARTRIGE |
| 21 | RP11-4-402799 | T-FITTING G1/4C T8 |
| 22 | RP11-4-402798 | L-FITTING G1/4C T8 |
| | | |

| Index No. | Part Number | Description |
|-----------|---------------|---------------------------------|
| 23 | RP11-243020 | VALVE |
| 24 | RP11-2-02376 | SOCKET HEAD CAP SCREW M6X40 |
| 25 | RP11-342286 | VALVE BRAKET |
| 26 | RP11-5-105674 | VALVE ASSEMBLY |
| 27 | RP11-4-117416 | VALVE SUPPORT |
| 28 | RP11-3-00221 | L-FITTING G1/4C T8 |
| 29 | RP11-3-00478 | STRAIGHT MALE ADAPTOR G1/4 T.8 |
| 30 | RP11-2-71516 | LOW NUT M4 |
| 31 | RP11-2-00851 | HEXAGON SOCKET HEAD SCREW M4X40 |
| 32 | RP11-3-00389 | QUICK INFLATING VALVE G1/4 |
| 33 | RP11-5-105676 | INFLATION ASSEMBLY |
| 34 | RP11-3-00004 | CLUTCH G1/8-T7 |
| 35 | RP11-352614 | RUBBER HOSE L.3500mm |
| 36 | RP11-2-00289 | HEXAGON SOCKET HEAD SCREW M4X10 |
| 37 | RP11-2-00209 | WASHER FOR HEX CAP SCREW M4 |
| 38 | RP11-352968 | VALVE SUPPORT |
| 39 | RP11-3-00464 | D-FITTING G1/8G T8 |
| 40 | RP11-235463 | PUSH-BUTTON |
| 41 | RP11-3-00365 | VALVE 3/2 1/8 |
| 42 | RP11-338576 | SPACER 17X32 |
| 43 | RP11-3-00460 | STRAIGHT MALE ADAPTOR G1/4 T.6 |
| 44 | RP11-352619 | SPACER |
| | | |

FILTER GROUP



[RETURNS TO OVERALL](#)

PARTS DESCRIPTION LISTING

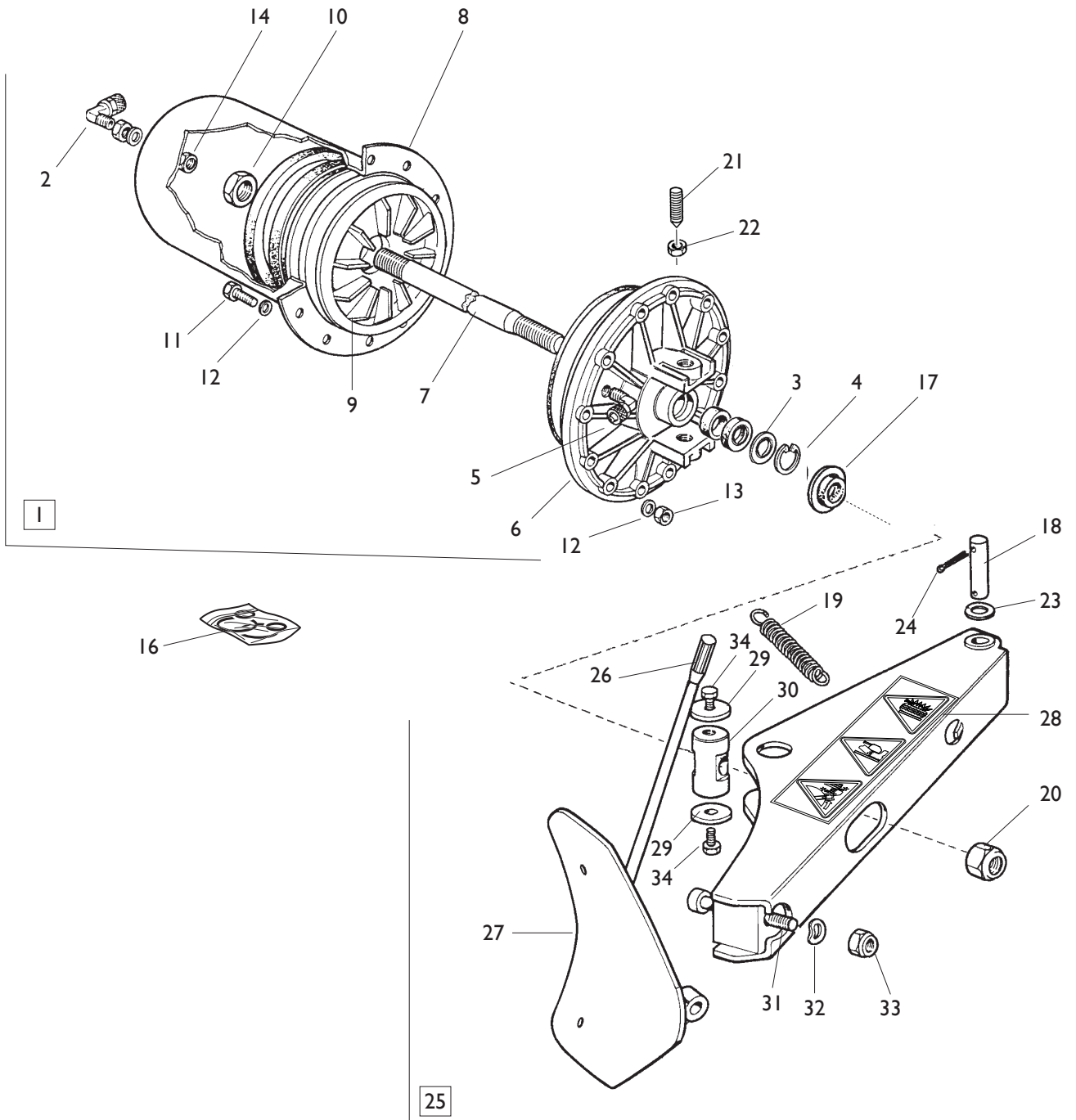
Form 11-4-134125, 02-16

Sheet 11 of 12

| Index No. | Part Number | Description |
|------------------|--------------------|--------------------------------------|
| 1 | RP11-4-133446 | FILTER ASSEMBLY (GAUGE NOT INCLUDED) |
| 2 | RP11-4-133445 | FILTER BRACKET |
| | | |

| Index No. | Part Number | Description |
|------------------|--------------------|---------------------------------|
| 3 | RP11-3-00257 | FITTING |
| 4 | RP11-3-00488 | PRESSURE GAUGE D.40 1/8 BAR/PSI |
| | | |

BEAD BREAKING GROUP



[RETURNS TO OVERALL](#)

PARTS DESCRIPTION LISTING

Form 11-4-134125, 02-16

Sheet 12 of 12

| Index No. | Part Number | Description |
|-----------|---------------|--------------------------------|
| 1 | RP11-5-100483 | BEAD BREAKER CYLINDER D.186 |
| 2 | RP11-3-00517 | ORIENTING ELBOW FITTING 1/4 10 |
| 3 | RP11-325561 | WASHER D.24X29,8X0,5 |
| 4 | RP11-434031 | RETAINING RING FOR BORE D.30 |
| 5 | RP11-3-00222 | L-FITTING G1/4C T10 |
| 6 | RP11-351905 | FLANGE D.186 |
| 7 | RP11-4-101627 | STEM D.20X475 |
| 8 | RP11-330190 | CYLINDER D.186 |
| 9 | RP11-337848 | PISTON D.186X44 |
| 10 | RP11-2-00989 | HEXAGON NUT M18X1,5 |
| 11 | RP11-2-00310 | SOCKET HEAD CAP SCREW M6X20 |
| 12 | RP11-2-00211 | WASHER FOR HEX CAP SCREW M6 |
| 13 | RP11-436779 | AUTOLOCKING HEXAGON NUT M6 |
| 14 | RP11-333524 | NUT 1/4 |
| 15 | RP11-2-00372 | HEXAGON HEAD CAP SCREW M8X16 |
| 16 | RP11-238212 | SPACER |
| 17 | RP11-424096 | FULCRUM PIN |
| | | |

| Index No. | Part Number | Description |
|-----------|---------------|--------------------------------|
| 18 | RP11-323903 | FULCRUM PIN |
| 19 | RP11-424364 | SPRING D.23X3X67 |
| 20 | RP11-2-01242 | SELF-LOCKING NUT M18X1.5 |
| 21 | RP11-431864 | SPECIAL SCREW M14X42 |
| 22 | RP11-2-00992 | HEXAGON NUT M14 |
| 23 | RP11-2-01045 | WASHER D.16 |
| 24 | RP11-435055 | PLUG D.2X40 |
| 25 | RP11-5-121493 | BEAD BREAKER ASSEMBLY |
| 26 | RP11-425219 | KNOB |
| 27 | RP11-224000 | BEAD BREAKER |
| 28 | RP11-4-402361 | DECAL WARNING BEAD BREAKER ARM |
| 29 | RP11-323901 | WASHER D. 8,25X40X3 |
| 30 | RP11-323902 | PIN |
| 31 | RP11-324008 | SPECIAL SCREW M12X90 |
| 32 | RP11-2-02249 | ELASTIC WASHER 13X24 |
| 33 | RP11-422255 | SELF-LOCKING NUT M12 |
| | | |
| | | |