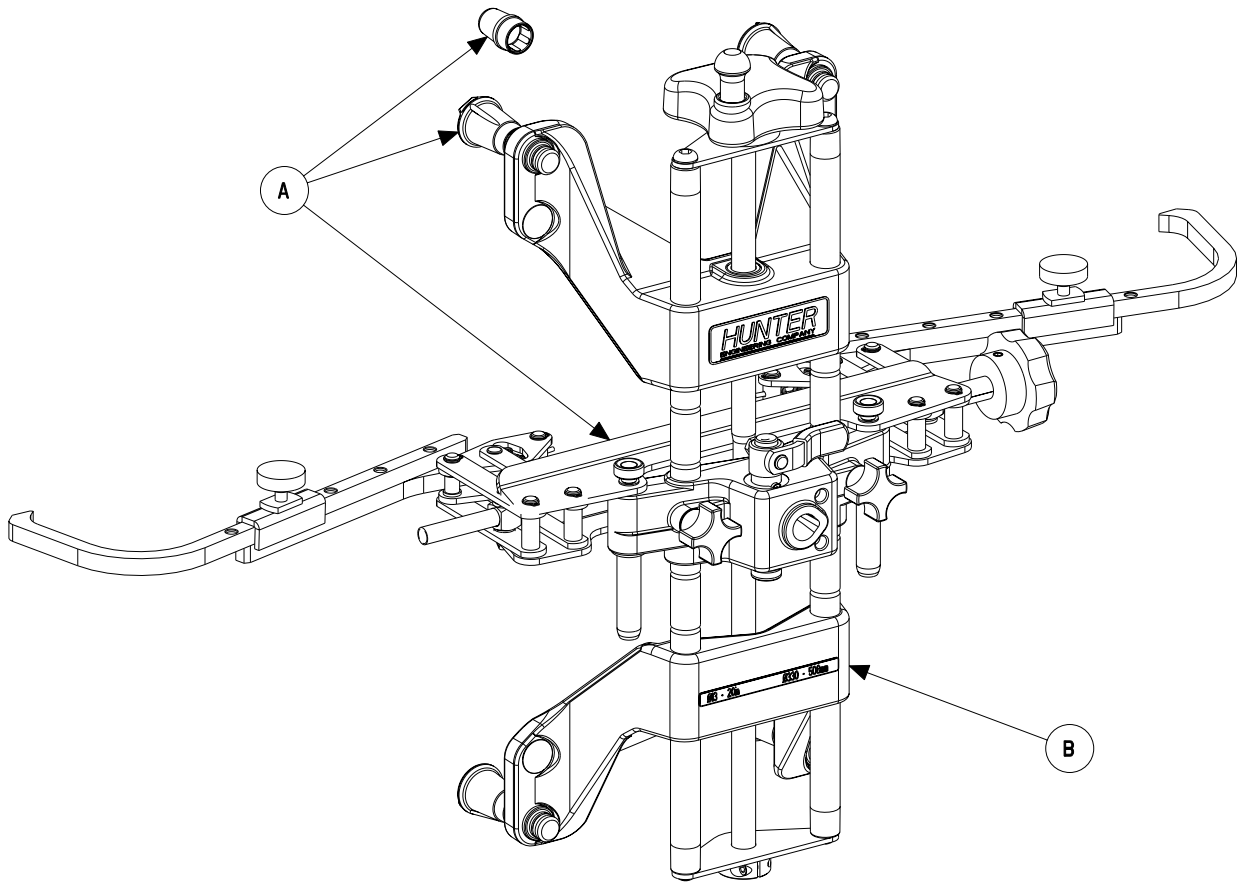


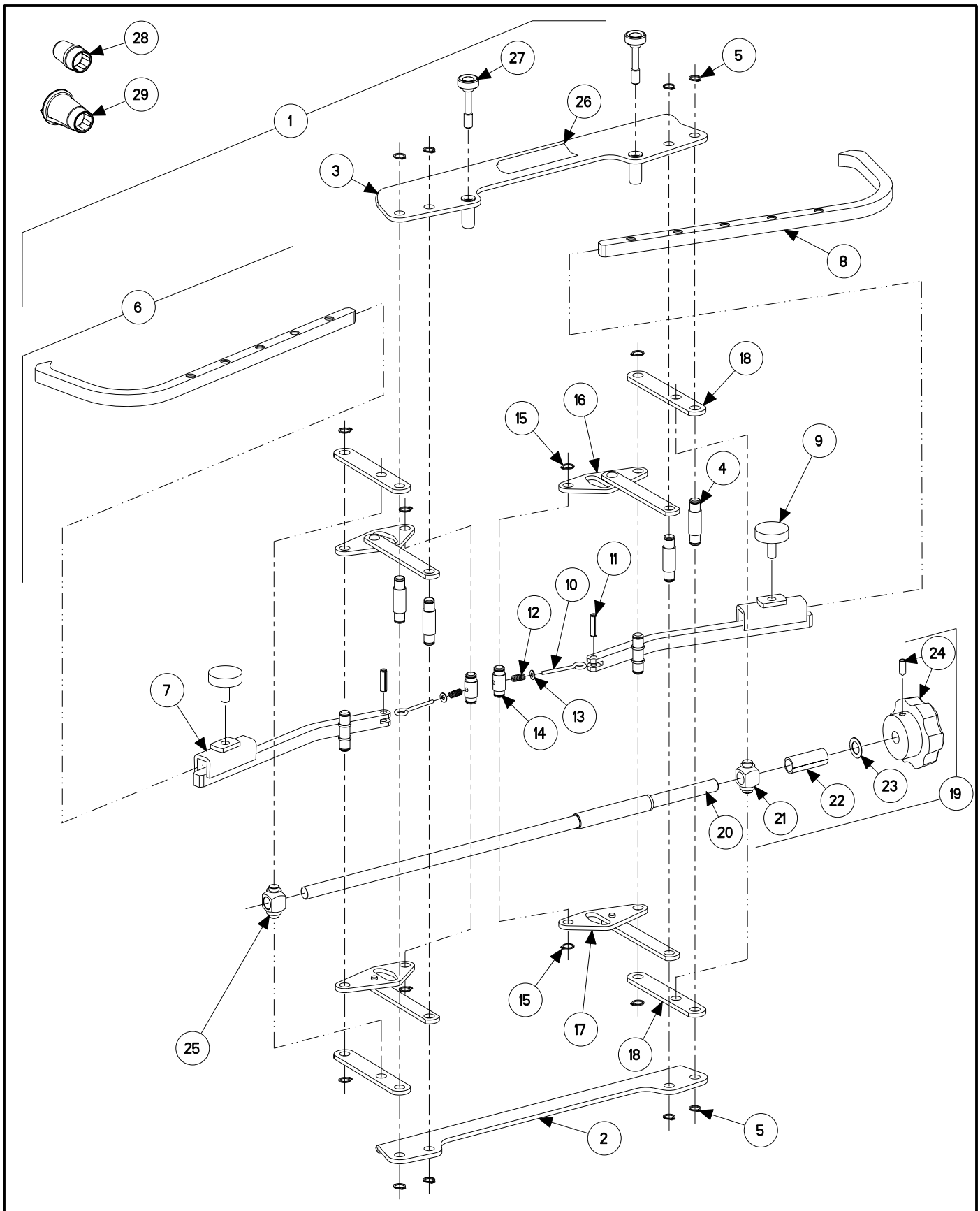
20-1558-1 TIRE CLAMP KIT



20-1558-1 TIRE CLAMP KIT

REFER TO NEXT SHEET FOR PARTS DESCRIPTION LISTING

Index No.	Part Number	Description
A	20-1558-1	TIRE CLAMP KIT (Sheet 3)
B	175-285-2	ADAPTOR ASSEMBLY (See Form 4-110)



20-1558-1 TIRE CLAMP KIT

REFER TO NEXT SHEET FOR PARTS DESCRIPTION LISTING

Index No.	Part Number	Description	Qty.
1	12-180-1	CLAMP, ADJUSTABLE TIRE HOOK (Consisting Of:)	4
2	72-242	LOWER BASE, TIRE CLAMP	1
3	72-238-1	UPPER BASE ASSEMBLY, TIRE CLAMP	1
4	159-13-2	LINK AXLE, TIRE CLAMP	4
5	112-71-2	SNAP RING, TRUARC 5100-31	8
6	216-70-1	RH HOOK ASSEMBLY, TIRE CLAMP (Consisting Of:)	1
OR	216-71-1	LH HOOK ASSEMBLY, TIRE CLAMP (Consisting Of:)	1
7	216-68-3	RH HOOK SUPPORT, WELDMENT	1
OR	216-67-3	LH HOOK SUPPORT, WELDMENT	1
8	216-69-2	HOOK, TIRE CLAMP	1
9	75-595-1	THUMB SCREW, 1/4 - 20 UMC	1
10	63-167-2	ROD, TIRE CLAMP TOGGLE SPRING	1
11	135-281-2	ROLL PIN, .188 DIA. X .688 LONG	1
12	98-305-2	COMPRESSION SPRING, .8 O.D.	1
13	77-79-2	FLAT WASHER, 4 SPECIAL	1
14	135-277-2	CLEVIS PIN	1
15	112-71-2	SNAP RING, TRUARC 5100-31	4
16	120-70-1	IDLER LINK ASSY	2
17	120-71-1	IDLER LINK ASSY	2
18	120-66	ACTUATOR LINK, TIRE CLAMP	2
19	97-334-1	SHAFT ASSEMBLY, TIRE CLAMP (Consisting Of:)	1
20	97-329-1	SHAFT, TIRE CLAMP, ACME THREAD	1
21	23-44-2	YOKE, TIRE CLAMP, SHAFT	1
22	106-86-2	SLEEVE, 3/8 SHAFT	1
23	77-220-2	SPRING WASHER, 3/8	1
24	34-104-2	KNOB, TIRE CLAMP	1
25	76-290-2	NUT, ACME 3/8 DOUBLE START	1
26	128-51-2	DECAL, HUNTER CIRCLE SHIELD	1
27	75-463-1	CAPTIVE SCREW ASSEMBLY, 1/4-20 UNC	2
28	69-794-1	COVER, RIM STUD ASSY	16
29	69-804-1	COVER, RIM STUD ASSY	16