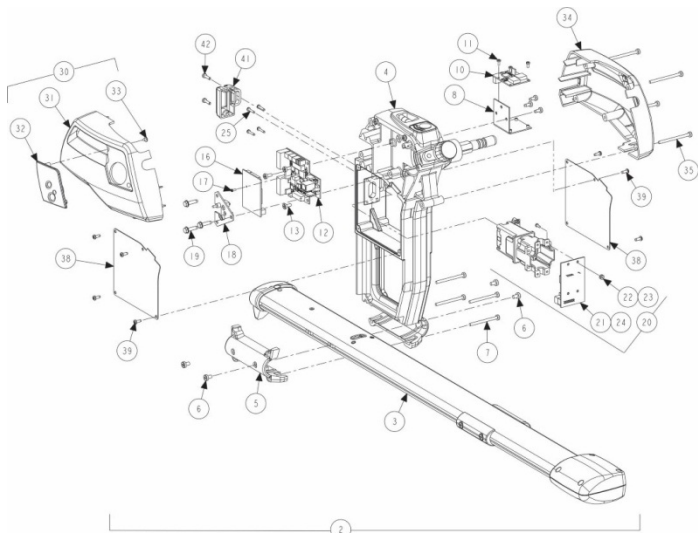
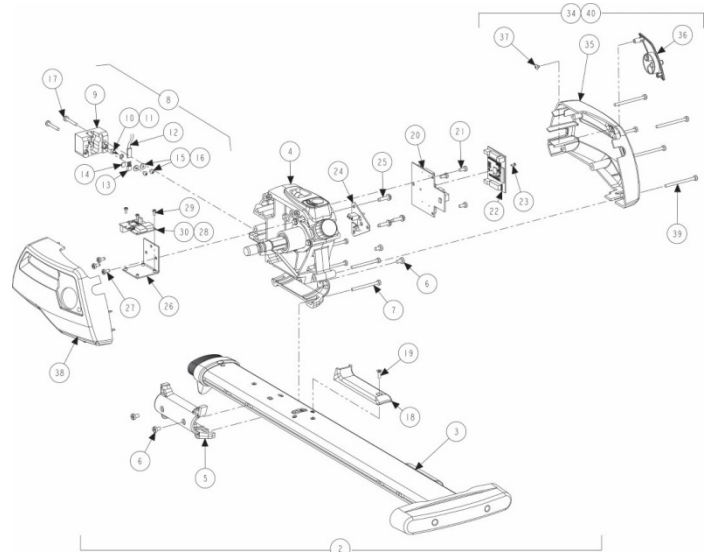


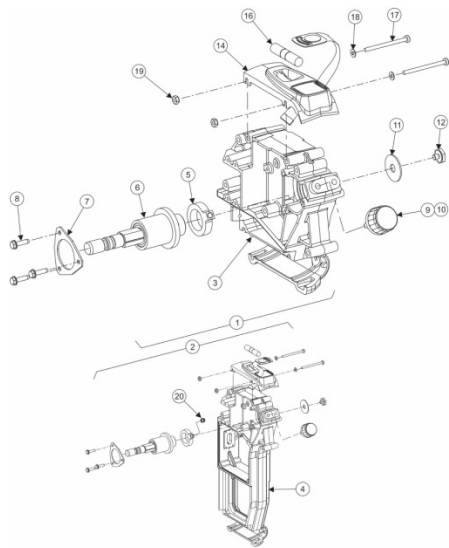
DSP700T SERIES SENSORS PARTS DRAWING



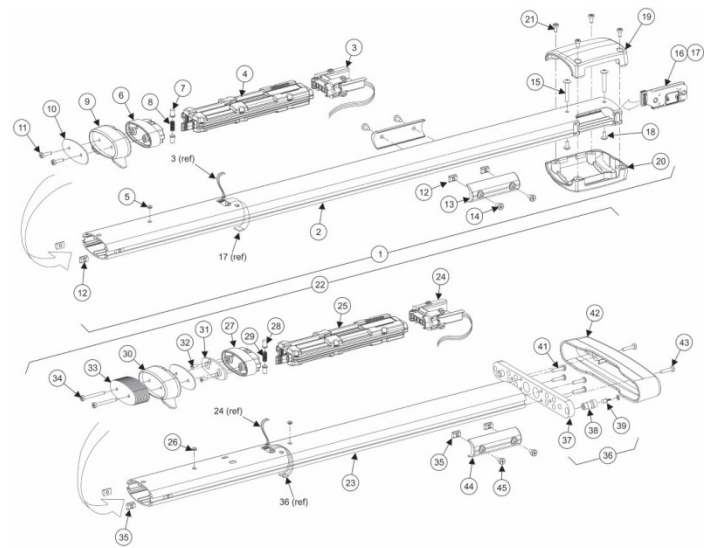
SHEET 3



SHEET 4



SHEET 5



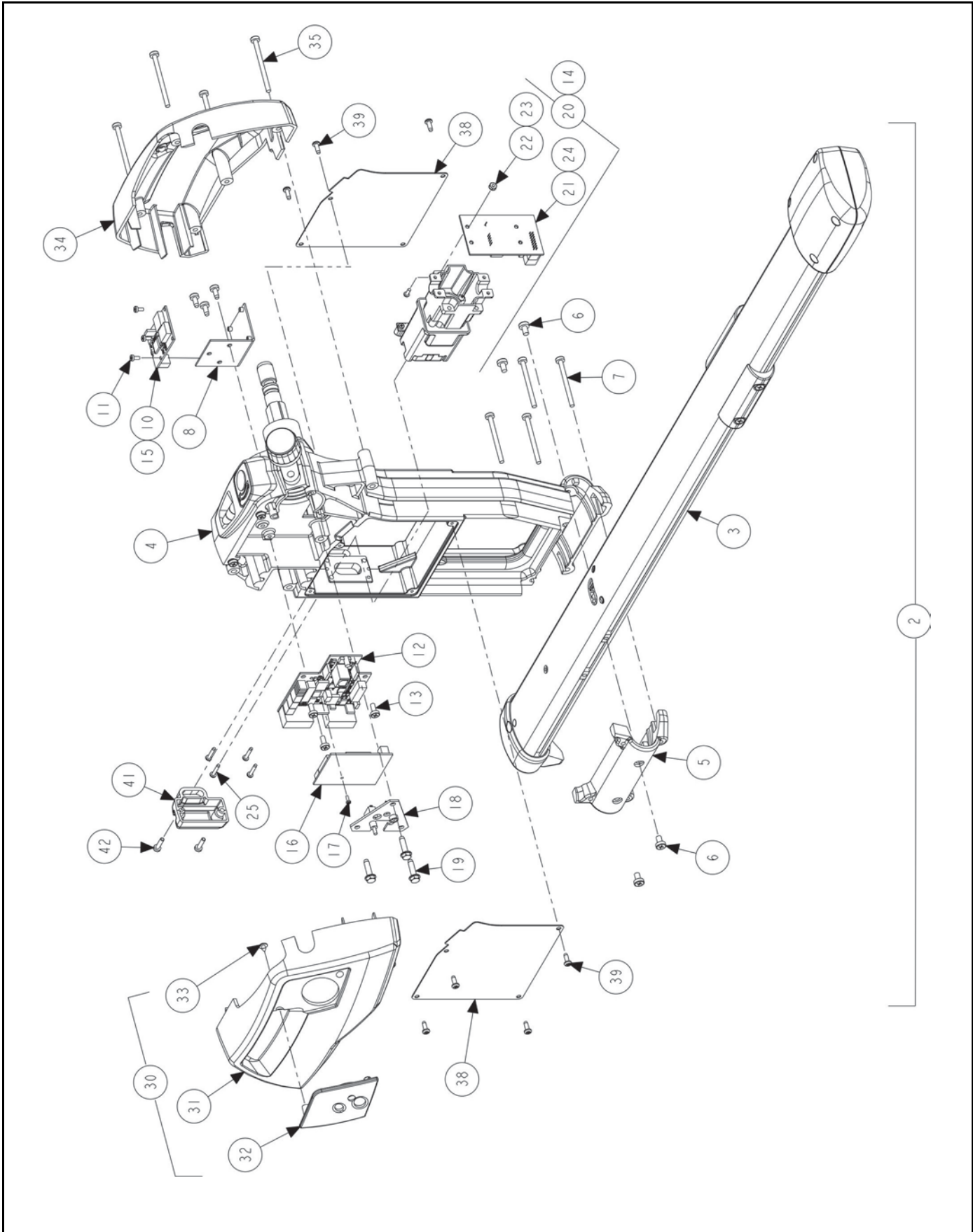
SHEET 6

DSP700T SERIES SENSORS

REFER TO NEXT SHEET FOR PARTS DESCRIPTION LISTING

PARTS DESCRIPTION LISTING

Sheet No.	Description
3	FRONT SENSORS
4	REAR SENSORS
5	SUPPORT ASSEMBLIES
6	TUBE ASSEMBLIES

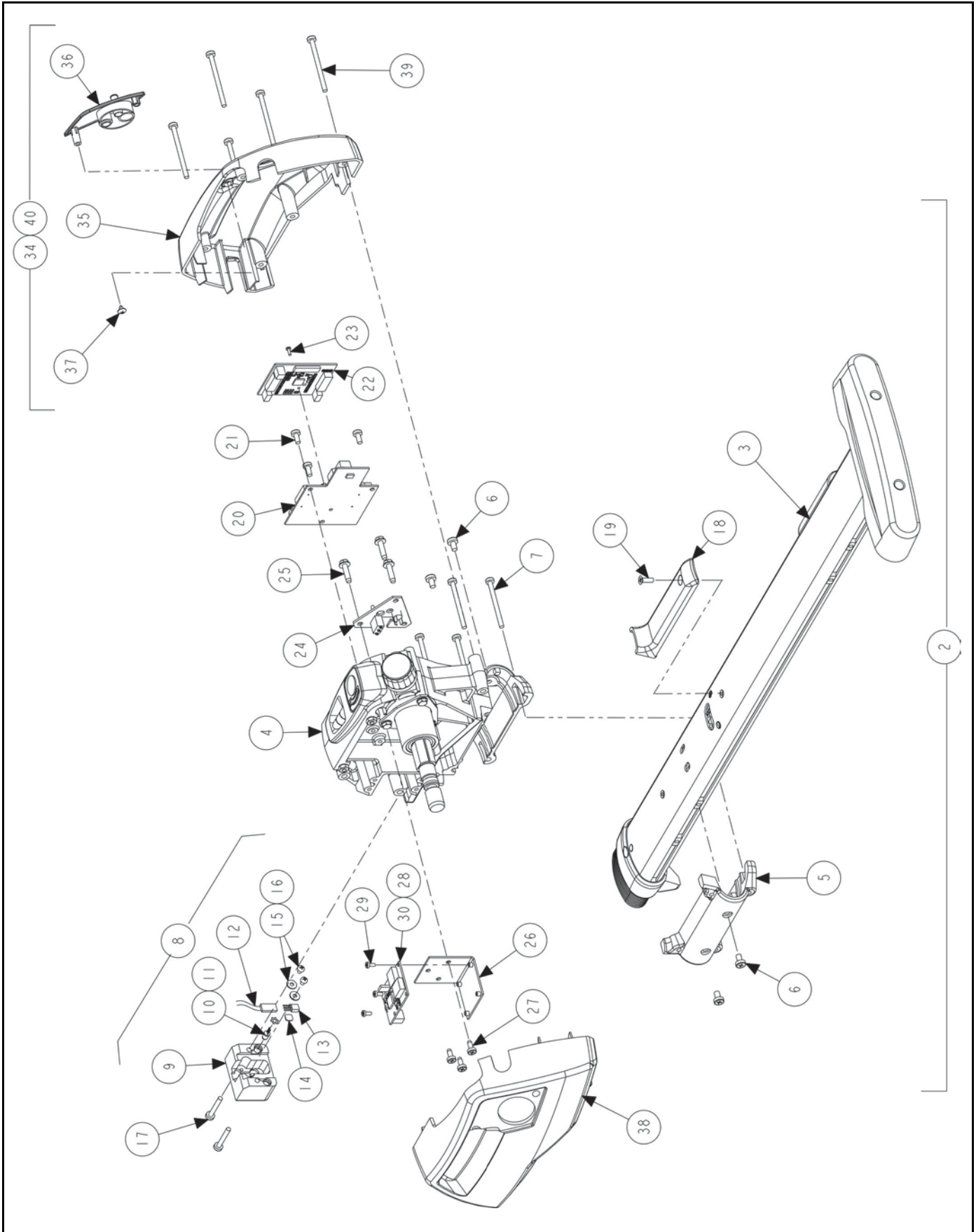


FRONT SENSORS

REFER TO NEXT SHEET FOR PARTS DESCRIPTION LISTING

PARTS DESCRIPTION LISTING

Index No.	Part Number	Description	Qty.
1	125-458-1	SENSOR ASSEMBLY, RIGHT FRONT DSP700T (Shown) (Consisting Of:)	1
OR	125-457-1	SENSOR ASSEMBLY, LEFT FRONT DSP700T (Not Shown) (Consisting Of:)	1
2	117-214-1	HANGER ASSEMBLY, RIGHT FRONT DSP700T (Shown) (Consisting Of:)	1
OR	117-213-1	HANGER ASSEMBLY, LEFT FRONT DSP700T (Not Shown) (Consisting Of:)	1
3	16-994-1	TUBE ASSEMBLY, TOE ARM RIGHT / FRONT DSP700T (See Sheet 6)	1
OR	16-993-1	TUBE ASSEMBLY, TOE ARM LEFT / FRONT DSP700T (See Sheet 6)	1
4	11-1446-1	SUPPORT ASSEMBLY, RIGHT FRONT DSP700T (See Sheet 5)	1
OR	11-1445-1	SUPPORT ASSEMBLY, LEFT FRONT DSP700T (See Sheet 5)	1
5	11-1322-2	SUPPORT, TOE ARM RETAINER WSX	1
6	75-608-2	PAN HEAD MACHINE SCREW 10-32X.31 INCH	4
7	75-724-2	PAN HEAD MACHINE SCREW 8-32X2.0 INCH	4
8	14-1197-1	BRACKET, MEMS-DUAL-AXIS	1
9	75-326-2	SCREW, SELF-TAPPING 8-32X5/16 INCH	3
10	45-1427-1	PCA, DSP700 CAM / CAS GEN2	1
11	75-612-2	PAN HEAD MACHINE SCREW-4-40X1/4 INCH	3
12	45-1351-1-2	PCA, DSP700T FRONT MAIN	1
13	75-91-2	PAN HEAD MACHINE SCREW 8-32X.38 INCH	3
14	38-799-1	CABLE, DSP300 LONG TOE, 10 INCH	1
15	38-801-1	CABLE, DSP300 CASTER, 10 INCH	1
16	45-1281-1	PCA, DSP700 RADIO MODULE G2	1
17	75-618-2	PAN HEAD MACHINE SCREW 2-56X1/4 INCH	1
18	41-182-1	RETAINER ASSEMBLY, RECHARGE JK/SW WSX (Right)	1
OR	41-183-1	RETAIN ASSEMBLY, RECHARGE JK/SW WSX (Left – Not Illustrated)	1
19	75-731-2	SELF, TAPPING-SWAGE FORM 10-32X.75 INCH	3
20	109-169-1	TRANSDUCER, DSP700T LONG TOE (Includes:)	1
21	45-1425-1	PCA, DSP700T FRONT TOE	1
22	75-171-2	ROUND HEAD MACHINE SCREW 4-40X5/16 INCH	4
23	76-59-2	NUT, KEPS 4-40	4
24	38-1192-1	CABLE, TOE TO EMITTER DSP700T	1
25	75-704-2	SCREW, SELF-TAPPING 4-40 X.63 INCH	4
26	124-220-2	SEAL, WIRE GUIDE DSP700T (Not Illustrated)	0.75 FT.
and	Field Obtain	ADHESIVE, FLEXIBLE, LOCTITE 4902 (Not Illustrated)	A/R
27	128-154-2	DECAL, SENSOR LOCATION WARNING (Not Illustrated)	1
28	128-390-2	DECAL, SENSOR DISCONNECT POWER (Not Illustrated)	2
29	24-190-2	NAMEPLATE, HUNTER.COM/PATENTS (Not Illustrated)	1
30	69-1302-1	COVER ASSEMBLY, RF/LR OUTER WSX (Right) (Consisting Of:)	1
OR	69-1301-1	COVER ASSEMBLY, LF/RR OUTER WSX (Left – Not Illustrated) (Consisting Of:)	1
31	69-1284-2	COVER, REAR WSX (Right)	1
OR	69-1283-2	COVER, FRONT WSX (Left – Not Illustrated)	1
32	69-1308-3	COVER ASSEMBLY, SWITCH RT WSX (Right)	1
OR	69-1309-3	COVER ASSEMBLY, SWITCH LF WSX (Left – Not Illustrated)	1
33	75-719-2	TRUSS HEAD SHEET METAL SCREW 6X1/4 INCH	1
34	69-1283-2	COVER, FRONT WSX (Right)	1
OR	69-1284-2	COVER, REAR WSX (Left – Not Illustrated)	1
35	75-726-2	PAN HEAD MACHINE SCREW 8-32 X 2.25 INCH	5
36	128-1255-2	DECAL, DSP700 SENSOR COVER RF/LR (Not Illustrated)	1
OR	128-1254-2	DECAL, DSP700 SENSOR COVER LF/RR (Not Illustrated)	1
37	128-1369-3	DECAL, COMPOSITE DSP700 (Not Illustrated)	1
38	51-2682-011	PLATE, TRANSDUCER COVER	2
39	75-500-2	SCREW, SELF-TAPPING 6-32 X .38 INCH	8
40	128-1457-3	DECAL, TRUCK SENSOR (Not Illustrated) (Contains front, mid and rear location decal)	1
41	69-1424-2	HOOD, AMBIENT LIGHT	1
42	75-735-2	SCREW, PAN HEAD MACHINE SCREW #6-32 X .56 INCH	2

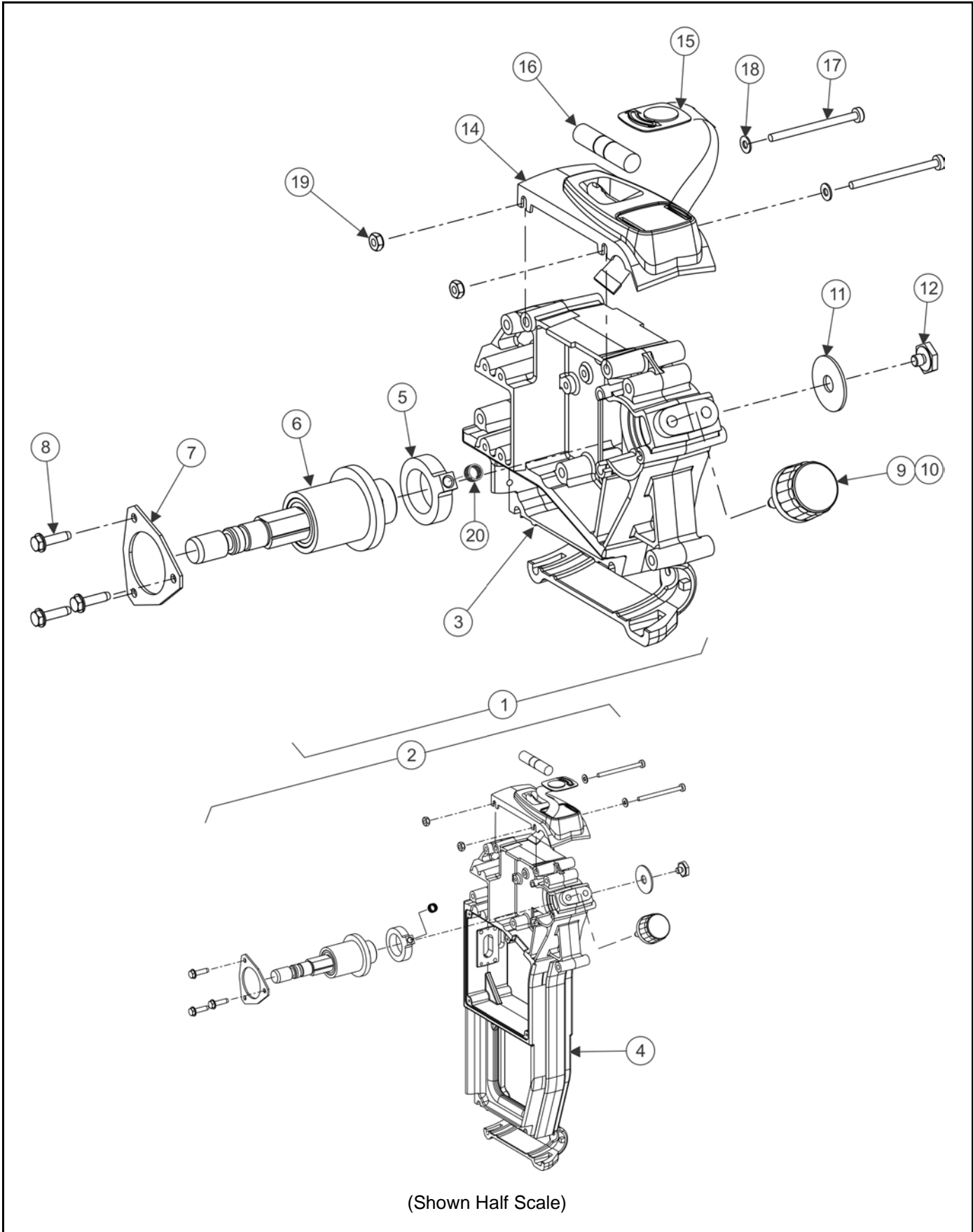


REAR AND MIDDLE SENSORS

REFER TO NEXT SHEET FOR PARTS DESCRIPTION LISTING

PARTS DESCRIPTION LISTING

Index No.	Part Number	Description	Qty.
1	125-480-1	SENSOR ASSEMBLY, RIGHT MID DSP700T (Shown) (Consisting Of:)	1
OR	125-481-1	SENSOR ASSEMBLY, LEFT MID DSP700T (Not Shown) (Consisting Of:)	1
OR	125-478-1	SENSOR ASSEMBLY, RIGHT REAR DSP700T (Shown) (Consisting Of:)	1
OR	125-479-1	SENSOR ASSEMBLY, LEFT REAR DSP700T (Not Shown) (Consisting Of:)	1
2	117-212-1	HANGER ASSEMBLY, RIGHT REAR DSP700T (Shown) (Consisting Of:)	1
OR	117-211-1	HANGER ASSEMBLY, LEFT REAR DSP700T (Not Shown) (Consisting Of:)	1
3	16-992-1	TUBE ASSEMBLY, TOE ARM RIGHT REAR DSP700T (See Sheet 6)	1
OR	16-1051-1	TUBE ASSEMBLY, TOE ARM LEFT REAR DSP700T (See Sheet 6)	1
4	11-1444-1	SUPPORT ASSEMBLY, RIGHT REAR DSP700T (See Sheet 5)	1
OR	11-1443-1	SUPPORT ASSEMBLY, LEFT REAR DSP700T (See Sheet 5)	1
5	11-1322-2	SUPPORT, TOE ARM RETAINER WSX	1
6	75-608-2	PAN HEAD MACHINE SCREW 10-32 X .31 INCH	4
7	75-724-2	PAN HEAD MACHINE SCREW 8-32 X 2.0 INCH	4
8	105-620-1	HOUSING ASSEMBLY, EMITTER REAR RF (Shown) (Consisting Of:)	1
OR	105-619-1	HOUSING ASSEMBLY, EMITTER REAR LF (Not Shown) (Consisting Of:)	1
9	105-615-2	HOUSING, EMITTER REAR	1
10	35-142	LED, DSP504 EMITTER TRIM	1
11	37-622-1	WIRE ASSEMBLY, FRONT TOE EMITTER DSP700T	1
12	37-624-1	WIRE ASSEMBLY, SYNC DETECTOR DSP700T	1
13	181-55	OPTIC, DSP700T DETECTOR, TRIMMED	1
14	136-99-2	FILTER , DETECTOR DSP700	1
15	75-332-2	ROUND HEAD MACHINE SCREW 6-32 X 3/16 INCH	2
16	77-115-2	WASHER, FIBER 6	2
17	75-779-2	PAN HEAD MACHINE SCREW 8-32 X 1.12 INCH	2
18	69-1382-2	COVER, WIRE REAR DSP700T	1
19	75-576-2	SCREW, SELF-TAPPING 8-32 X .50 INCH	1
20	45-1333-1	PCA, DSP700 REAR MAIN	1
21	75-91-2	PAN HEAD MACHINE SCREW 8-32X.38 INCH	3
22	45-1281-1	PCA, DSP700 RADIO MODULE G2	1
23	75-618-2	PAN HEAD MACHINE SCREW 2-56X1/4 INCH	1
24	41-182-1	RETAINER ASSEMBLY, RECHARGE JK/SW WSX (Shown))	1
OR	41-183-1	RETAIN ASSEMBLY, RECHARGE JK/SW WSX (Not Shown)	1
25	75-731-2	SELF-TAPPING, SWAGE FORM 10-32 X .75 INCH	3
26	14-1197-1	BRACKET, MEMS-DUAL-AXIS	1
27	75-326-2	SCREW, SELF-TAPPING 8-32 X 5/16 INCH	3
28	45-1275-1-1	PCA, DSP700 CAM / CAS	1
29	75-612-2	PAN HEAD MACHINE SCREW-4-40 X 1/4 INCH	3
30	38-801-1	CABLE , DSP300 CASTER, 10 INCH	1
31	128-154-2	DECAL, SENSOR LOCATION WARNING (Not Shown)	1
32	128-390-2	DECAL, SENSOR DISCONNECT POWER (Not Shown)	1
33	24-190-2	NAMEPLATE, HUNTER.COM / PATENTS (Not Shown)	1
34	69-1301-1	COVER ASSEMBLY, LF / RR OUTER WSX (Shown) (Consisting Of:)	1
OR	69-1302-1	COVER ASSEMBLY, RF / LR OUTER WSX (Not Shown) (Consisting Of:)	1
35	69-1283-2	COVER, FRONT WSX (Right)	1
OR	69-1284-2	COVER, REAR WSX (Left - Not Illustrated)	1
36	69-1309-3	COVER ASSEMBLY, SWITCH LF WSX (Right)	1
OR	69-1308-3	COVER ASSEMBLY, SWITCH RT WSX (Left - Not Illustrated)	1
37	75-719-2	TRUSS HEAD SHEET METAL SCREW 6 X 1/4 INCH	1
38	69-1284-2	COVER, REAR WSX (RIGHT)	1
OR	69-1283-2	COVER, FRONT WSX (Left - Not Illustrated)	1
39	75-726-2	PAN HEAD MACHINE SCREW 8-32 X 2.25 INCH	5
40	128-1254-2	DECAL, DSP700 SENSOR COVER LF / RR	1
OR	128-1255-2	DECAL, DSP700 SENSOR COVER RF / LR (Not Shown)	1
41	128-1369-3	DECAL, COMPOSITE DSP700 (Not Illustrated)	1
42	128-1457-3	DECAL, TRUCK SENSOR (Not Illustrated)	1

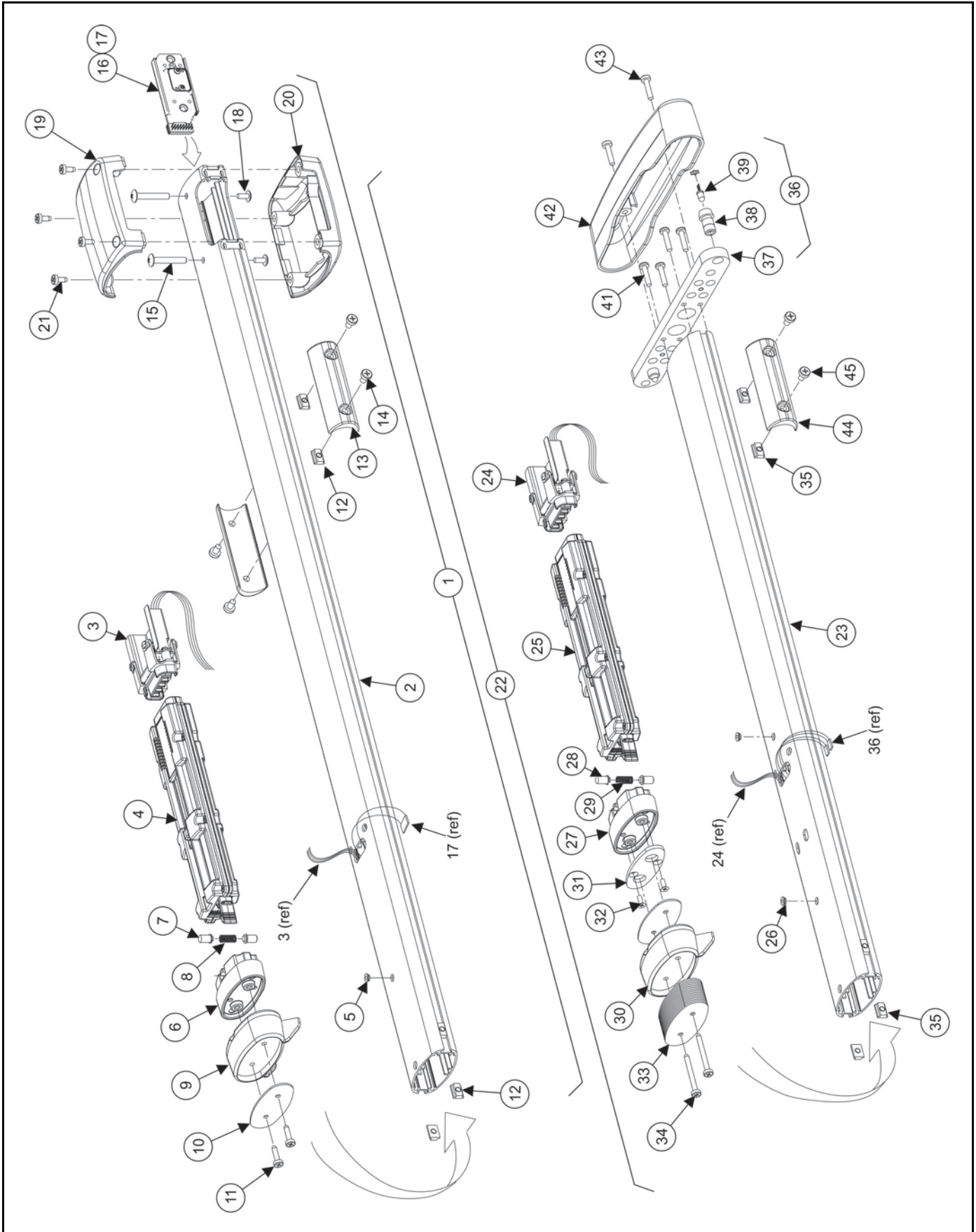


SUPPORT ASSEMBLIES

REFER TO NEXT SHEET FOR PARTS DESCRIPTION LISTING

PARTS DESCRIPTION LISTING

Index No.	Part Number	Description	Qty.
1	11-1444-1	SUPPORT ASSEMBLY, RIGHT REAR DSP700T (Shown) (Consisting Of:)	1
OR	11-1443-1	SUPPORT ASSEMBLY, LEFT REAR DSP700T (Not Shown)	1
2	11-1445-1	SUPPORT ASSEMBLY, LEFT FRONT DSP700T (Shown Half Size)	1
OR	11-1446-1	SUPPORT ASSEMBLY, RIGHT FRONT DSP700T (Not Shown)	1
3	11-1414-2	SUPPORT, SENSOR REAR TRUCK (Rear Supports Only)	1
4	11-1415-2	SUPPORT, SENSOR FRONT TRUCK (Front Supports Only)	1
5	223-56-2	RING, BRAKE	1
6	184-95-1	HUB, SENSOR SHAFT DSP700T	1
7	41-180	RETAIN, BEARING NO FLANGE WSX	1
8	75-731-2	SELF, TAPPING-SWAGE FORM 10-32X.75 INCH	3
9	34-193-3	KNOB, LOCK-700	1
10	Field Purchase	LOCTITE, COMPOUND 767	A/R
11	41-179-2	RETAINER, SHAFT CLAMP	1
12	76-476-1	NUT ASSEMBLY, MAGNET WSX	1
13	Field Purchase	ADHESIVE, THREAD LOCK STICK (LOCTITE 248)	A/R
14	105-558-2	HOUSING, LEVEL SWITCH DSP700	1
15	18-519-2	SWITCH, COMP WSX	1
16	25-178-2	GAGE, LEVEL VIAL, SENSOR	1
17	75-871-2	PAN HEAD MACHINE SCREW 8-32 X 2.25 INCH	2
18	77-69-2	WASHER, FLAT 8 SPECIAL	2
19	76-71-2	NUT, KEPS 8-32	2
20	98-500-2	SPRING, WAVE	1



TUBE ASSEMBLIES

REFER TO NEXT SHEET FOR PARTS DESCRIPTION LISTING

PARTS DESCRIPTION LISTING

Index No.	Part Number	Description	Qty.
1	16-993-1	TUBE ASSEMBLY, TOE ARM LEFT / FRONT DSP700T (Shown) (Cons. Of:)	1
OR	16-994-1	TUBE ASSEMBLY, TOE ARM RIGHT / FRONT DSP700T (Not Shown) (Cons. Of:)	1
2	16-1131-1**	TUBE ASSEMBLY, DSP700T LEFT / FRONT SERVICE (Includes insert:)**	1
OR	16-1130-1**	TUBE ASSEMBLY, DSP700T RIGHT / FRONT SERVICE (Includes insert:)**	1
5	76-163-2*	NUT, INSERT 8-32	1
3	36-60-1*	RECEPTACLE ASSEMBLY, BATTERY WSX	1
4	194-27-1*	BATTERY, PACK HOUSING ASSEMBLY WSX	1
6	65-90-2*	WEIGHT, COUNTER WEIGHT WSX	1
7	43-143-2*	PLUG, PLUNGER WEIGHT WSX	2
8	98-395-2*	SPRING, COMPRESSION COUNTER WEIGHT	1
9	53-169-2*	CAP, COUNTER WEIGHT WSX	1
10	51-2351*	PLATE, COUNTER WEIGHT DSP700	A/R
11	75-761-2	SCREW, SELF-TAPPING 8-32X .63 INCH	2
12	76-382-2*	NUT-T	8
13	65-93-2*	WEIGHT, ADJUSTABLE BALANCE WSX	2
14	75-608-2*	PAN HEAD MACHINE SCREW 10-32 X .31 INCH	4
15	76-473-2	NUT, BARREL #8-32 X 1.25 INCH LONG	2
16	109-161-1	TRANSDUCER , DSP700 TRANS TOE	1
17	38-1143-1	CABLE, DSP700T TRANS TOE	1
18	75-336-2	TRUSS HEAD MACHINE SCREW 8-32 X 3/8 INCH	2
19	69-1286-2	COVER, TOE BOTTOM WSX	1
20	69-1285-2	COVER, TOE TOP WSX	1
21	75-446-2	SCREW, SELF-TAPPING 8-32 X 3/8 INCH	4
22	16-1051-1	TUBE ASSEMBLY, TOE ARM LEFT REAR DSP700T (Shown) (Cons. Of:)	1
OR	16-992-1	TUBE ASSEMBLY, TOE ARM RIGHT REAR DSP700T (Not Shown) (Cons. Of:)	1
23	16-1132-1	TUBE ASM-DSP700T REAR SERVICE (Includes insert:)	1
26	76-163-2*	NUT, INSERT 8-32	2
24	36-60-1*	RECEPTACLE ASSEMBLY, BATTERY WSX	1
25	194-27-1*	BATTERY, PACK HOUSING ASSEMBLY WSX	1
27	65-90-2*	WEIGHT, COUNTER WEIGHT WSX	1
28	43-143-2*	PLUG, PLUNGER WEIGHT WSX	2
29	98-395-2*	SPRING, COMPRESSION COUNTER WEIGHT	1
30	53-169-2*	CAP, COUNTER WEIGHT WSX	1
31	51-2374-2	PLATE, COUNTER WEIGHT WSX	1
32	75-714-2	SCREW, SELF-TAPPING FLAT HEAD MACHINE SCREW 6-32 X 3/8 INCH	2
33	51-2351*	PLATE, COUNTER WEIGHT DSP700	18
34	75-813-2	SCREW, SELF-TAPPING 8-32 X 1.50 INCH	2
35	76-382-2*	NUT-T	6
36	11-1466-1	SUPPORT ASSEMBLY, TWIN EMITTER TRUCK (Consisting Of:)	1
37	11-1467-2	SUPPORT, TWIN EMITTER	1
38	106-178-2	SLEEVE, EMITTER	2
39	35-142	LED, DSP504 EMITTER TRIM	2
40	37-621-1	WIRE ASSEMBLY, REAR TOE EMITTER DSP700T (Not Illustrated)	2
41	75-472-2	SCREW, SELF-TAPPING 8-32 X .75 INCH	4
42	53-184-2	CAP, EMITTER	1
43	75-414-2	PAN HEAD MACHINE SCREW 8-32 X 3/4 INCH	2
44	65-93-2*	WEIGHT, ADJUSTABLE BALANCE WSX	1
45	75-608-2*	PAN HEAD MACHINE SCREW 10-32 X .31 INCH	2

* Noted components are common to both tube assemblies.

** Replacement tube now includes nut insert, eliminating the need of special tool for field-installation of insert.

