

# INSTALLATION OF ADAPTOR STORAGE CART KIT 20-1922-1

This document provides information on the assembly and usage of the adaptor storage cart, kit 20-1922-1.

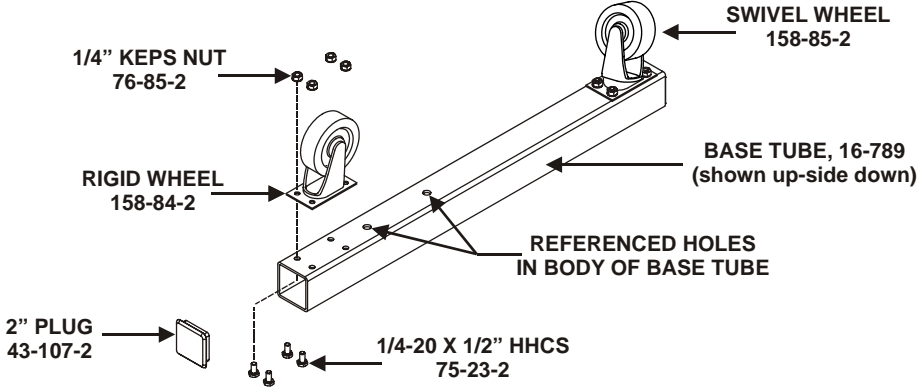
**NOTE:** Cart does not provide battery charging for wireless conventional sensors.

- 1. Assemble a rigid wheel, 158-84, and a swivel wheel, 158-85-2, to each base tube, 16-789, as follows:

Use the holes in the body of base tube to determine the correct placement of wheels. These holes are closer to the rigid-wheel end of the base tube. The swivel wheel belongs on the opposite end.

Secure each wheel with four 1/4-20 X 1/2 inch hex head cap screw (HHCS), 75-23-2, and four 1/4 inch Keps nuts, 76-85-2.

Place a plug, 43-107-2, to the open ends of the base tubes.

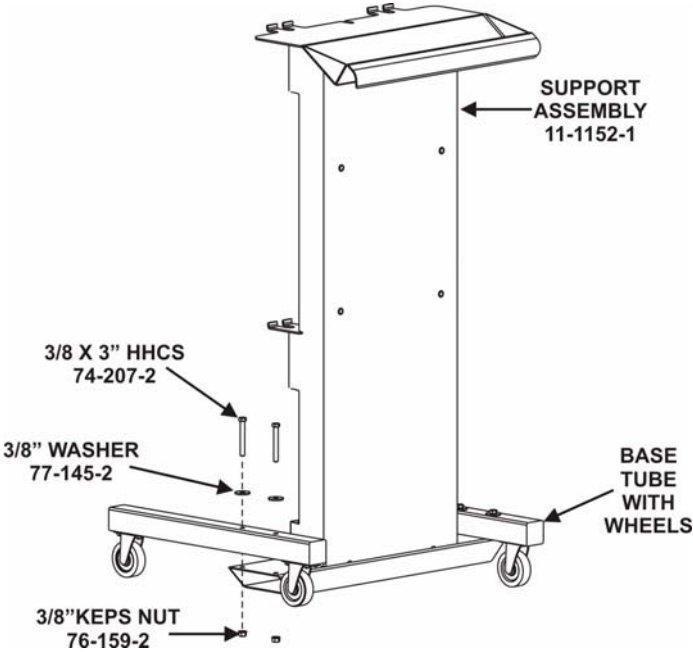


- 2. Secure the two base tubes to the support assembly, 11-1152-1, as follows:

Match the holes in the body of base tube with holes in the base of support assembly. Orient the base tube with the longer section with the swivel wheel toward the hanger side of the support assembly.

Position a base tube on top of the base of support assembly with wheels down.

Secure each base tube with two 3/8-16 X 3 inch hex head cap screws, 74-207-2, two 3/8 inch flat washers, 77-145-2, and two 3/8 inch Keps nuts, 76-159-2.

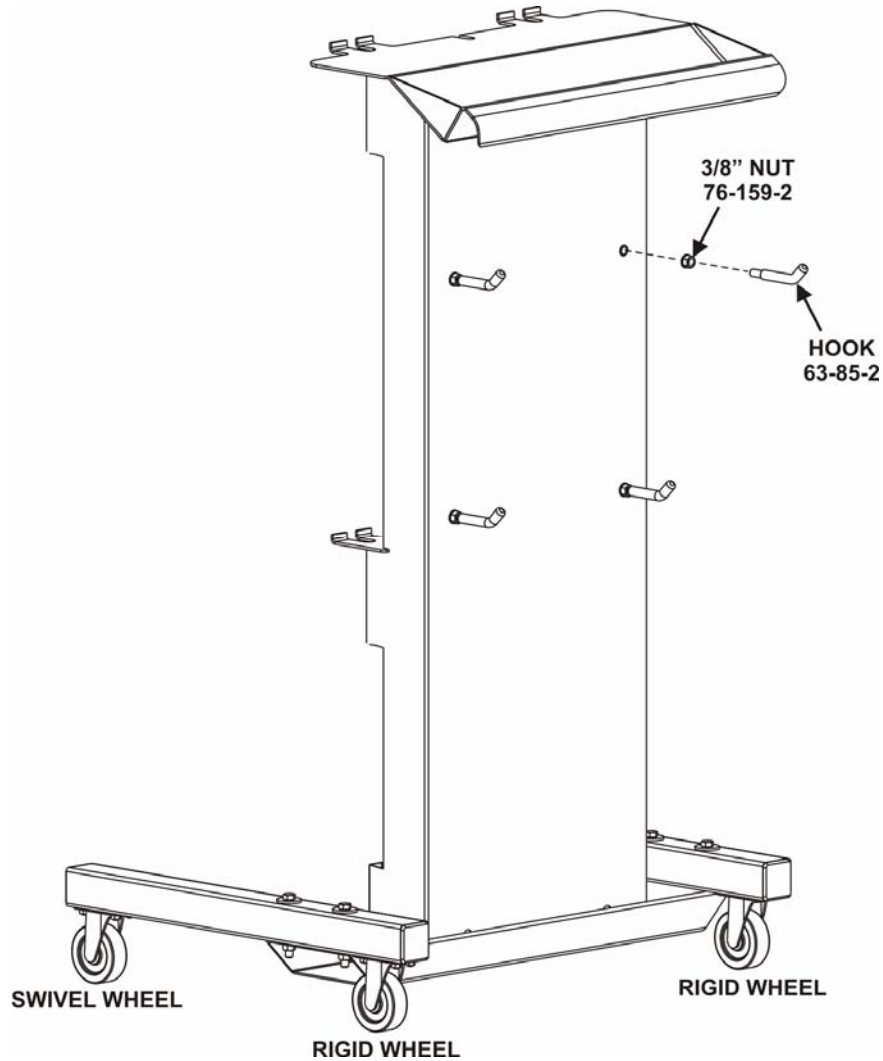


3. Secure the **four** hooks, 63-85-2, to the support assembly as follows:

Thread a 3/8 inch nut, 76-159-2, to the base of the threaded section of each of the hooks.

**On the tray-side of the support assembly, thread the hooks onto the four holes.**

Use the 3/8 inch nuts to lock the hooks into the upright position.



4. Place adaptors and accessories in the appropriate locations on cart: adaptors with sensors (or targets) hang on back side of cart, extensions in top tray, brake pedal depressor hangs from notch in top, steering wheel holder sets in base of cart, and cables hang from the hooks.

